

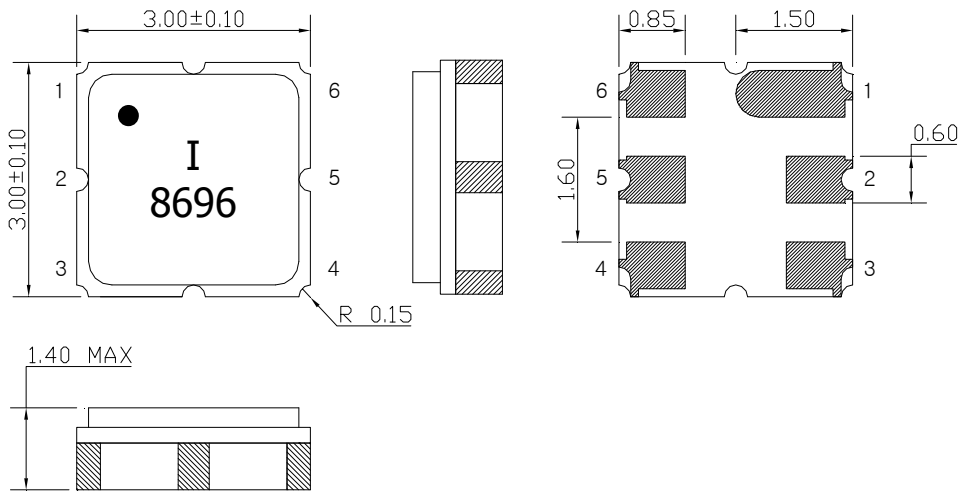
# SAW Bandpass Filter F8696



## Features

- RF bandpass filter
- Usable bandwidth 0.25 MHz
- Ceramic Surface Mounted Device (SMD) Package (3.0mm × 3.0mm)
- RoHS Compliant

## Package Dimensions



Dimensions shown are nominal in millimeters

Body : Al<sub>2</sub>O<sub>3</sub> Ceramic

Lid : Kovar, Ni Plated

Terminations : Au plating 0.3 ~ 1.0 um, Over a 1.27 ~ 8.89 um  
Ni Plating

Pin Configuration	
2	Input
5	Output
1, 3, 4, 6	Ground

## Maximum Ratings

Parameter	Unit	Minimum	Typical	Maximum
Operating Temperature Range	°C	-40	25	85
Storage Temperature Range	°C	-40	-	85
DC Voltage	V	-	-	6
Power Handling Capability	dBm	-	-	10

Electrostatics Sensitive Device (ESD)

	<b>ITF Co., Ltd.</b> 102-901, Bucheon Technopark 364, Samjeong-Dong, Ojeong-Gu, Bucheon-City, Gyeonggi-Do, Korea 421-809	Part No.	F8696	
		Rev. Date	2018-10-11	
		Rev.	NRTF06-AS05	1/8

# SAW Bandpass Filter F8696




## Specifications

Fc = 869.525 MHz

		Minimum	Typical	Maximum
Center frequency ( Fc )	MHz	-	869.525	-
Minimum insertion attenuation ( $\alpha_{min}$ )	dB	-	2.7	3.5
Pass band ( relative to $\alpha_{min}$ ) 869.40 ~ 869.65 MHz	dBc	-	0.5	1.5
Relative attenuation ( relative to $\alpha_{min}$ ) 840.00 ~ 858.00 MHz	dB	30	35	-
858.00 ~ 867.00 MHz		22	27	-
867.00 ~ 868.20 MHz		13	16	-
871.00 ~ 872.50 MHz		10	13	-
872.50 ~ 877.50 MHz		20	25	-
877.50 ~ 895.00 MHz		30	35	-
Input/Output impedance	Ohm	-	50	-

### Notes :

- 1) All specifications are based on the matching schematic shown below, measured by Agilent Network analyzer and full 2 port calibration.
- 2) Electrical margin has been built into the design to account for the variations due to temperature drift and manufacturing tolerances

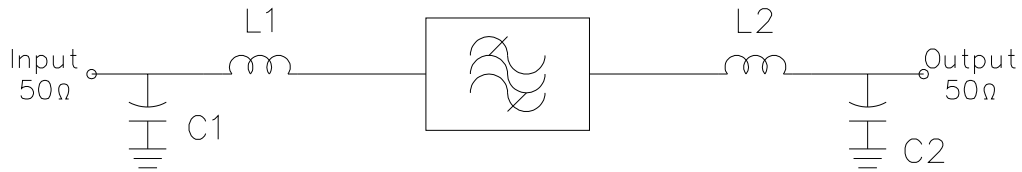
	<b>ITF Co., Ltd.</b> 102-901, Bucheon Technopark 364, Samjeong-Dong, Ojeong-Gu, Bucheon-City, Gyeonggi-Do, Korea 421-809	Part No.	F8696	
		Rev. Date	2018-10-11	
		Rev.	NRTF06-AS05	2/8

# SAW Bandpass Filter F8696



## Matching Schematic

( Actual matching values may vary due to PCB layout and parasitics )



$$L1 = L2 = 15\text{nH}, \quad C1 = C2 = 4.3\text{pF}$$

## Marking Configuration


- 1)
- I 2)
- 8696 3)

1) Pad Number 1 Index

2) Manufacturer name

3) Marking Number

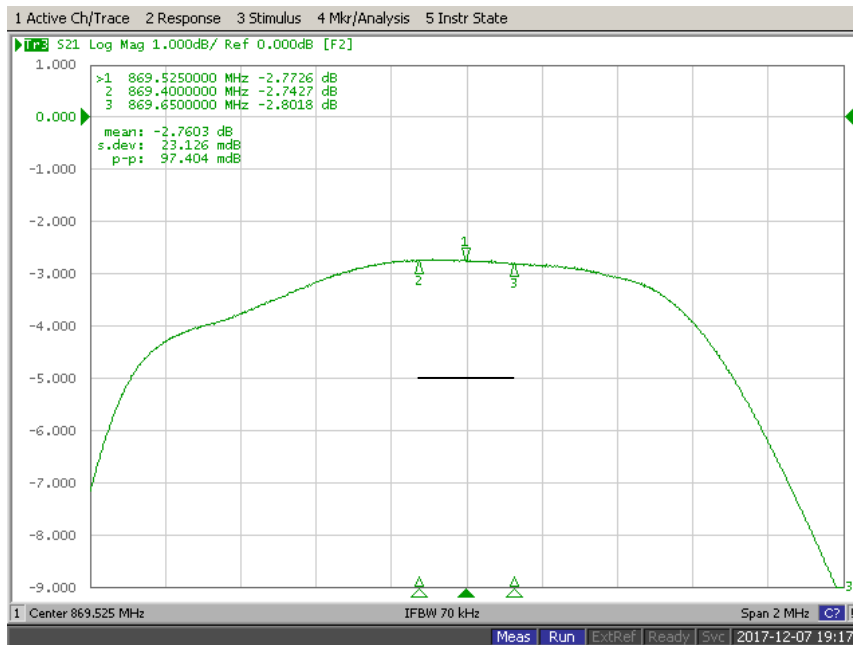
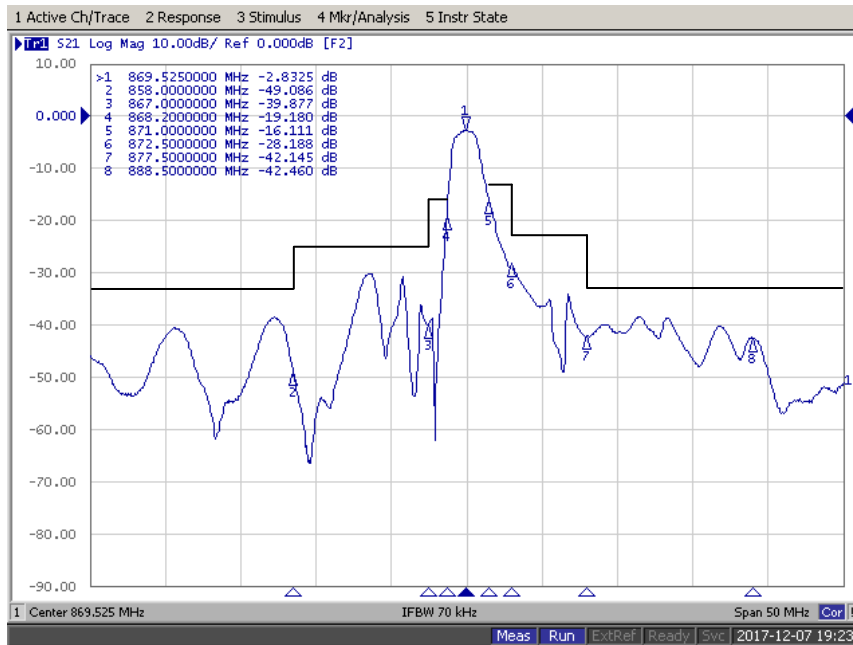
\* Ink or Laser Marking available

 Integrated Technology Future	<b>ITF Co., Ltd.</b> 102-901, Bucheon Technopark 364, Samjeong-Dong, Ojeong-Gu, Bucheon-City, Gyeonggi-Do, Korea 421-809	Part No.	F8696	
		Rev. Date	2018-10-11	
		Rev.	NRTF06-AS05	3/8

# SAW Bandpass Filter F8696



## Typical Performance ( at 25°C )



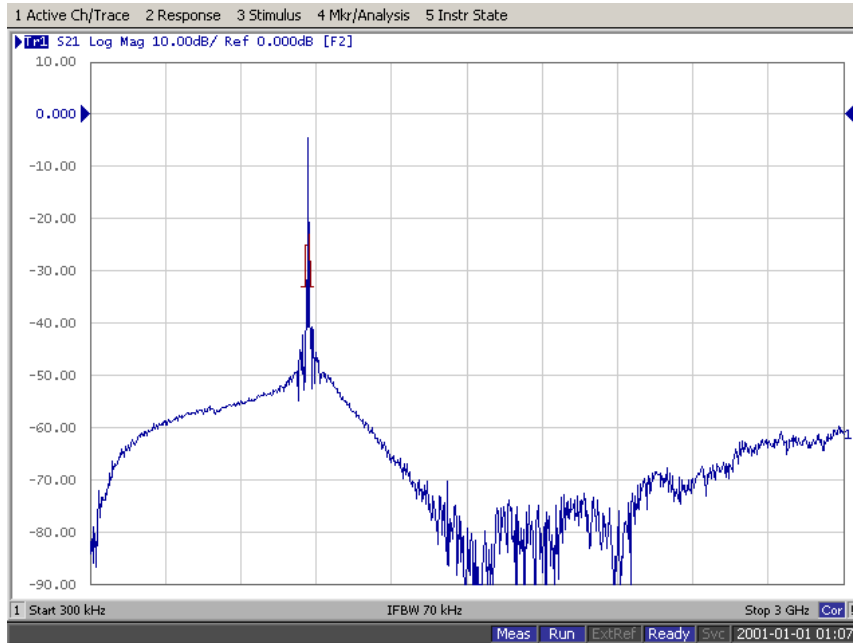
**ITF Co., Ltd.**  
102-901, Bucheon Technopark 364,  
Samjeong-Dong, Ojeong-Gu, Bucheon-City,  
Gyeonggi-Do, Korea 421-809


Part No.	F8696	
Rev. Date	2018-10-11	
Rev.	NRTF06-AS05	4/8

# SAW Bandpass Filter F8696



## Typical Performance ( at 25°C )

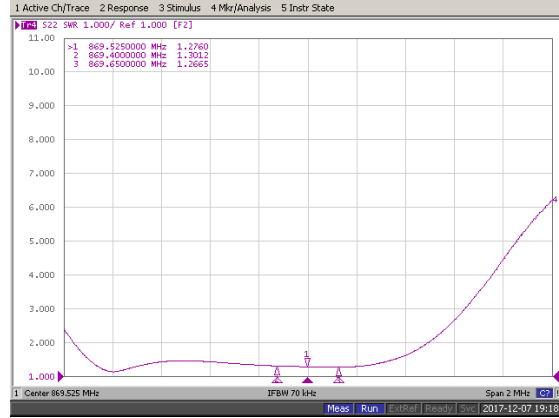
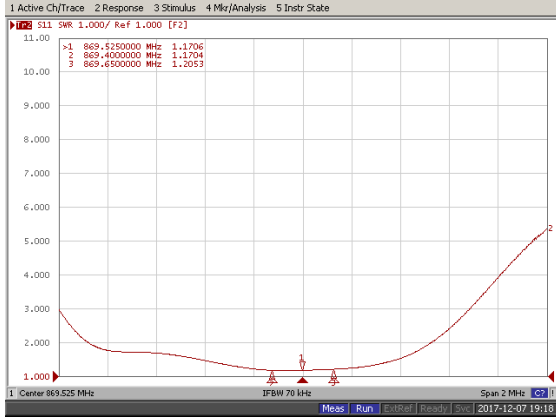


	<b>ITF Co., Ltd.</b> 102-901, Bucheon Technopark 364, Samjeong-Dong, Ojeong-Gu, Bucheon-City, Gyeonggi-Do, Korea 421-809	Part No.	F8696	
		Rev. Date	2018-10-11	
		Rev.	NRTF06-AS05	5/8

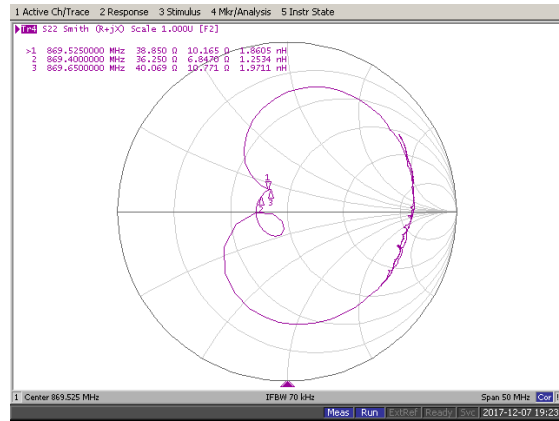
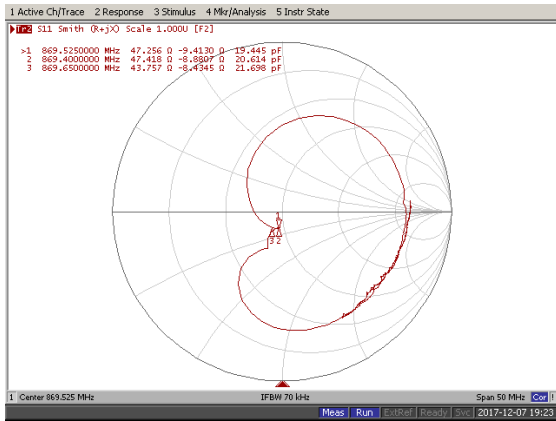
# SAW Bandpass Filter F8696



## Input / Output VSWR Charts



## Input / Output Smith Charts



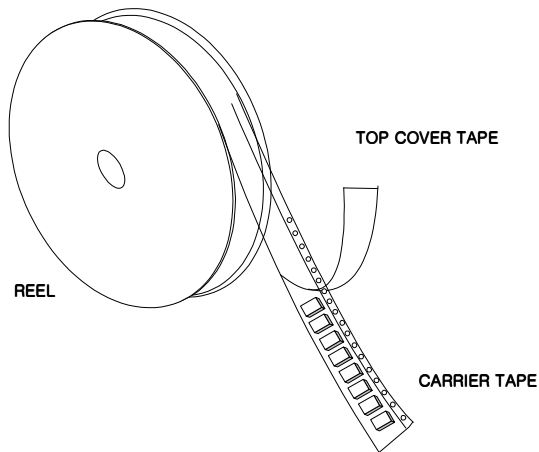
	<b>ITF Co., Ltd.</b> 102-901, Bucheon Technopark 364, Samjeong-Dong, Ojeong-Gu, Bucheon-City, Gyeonggi-Do, Korea 421-809	Part No.	F8696	
		Rev. Date	2018-10-11	
		Rev.	NRTF06-AS05	6/8

# SAW Bandpass Filter F8696



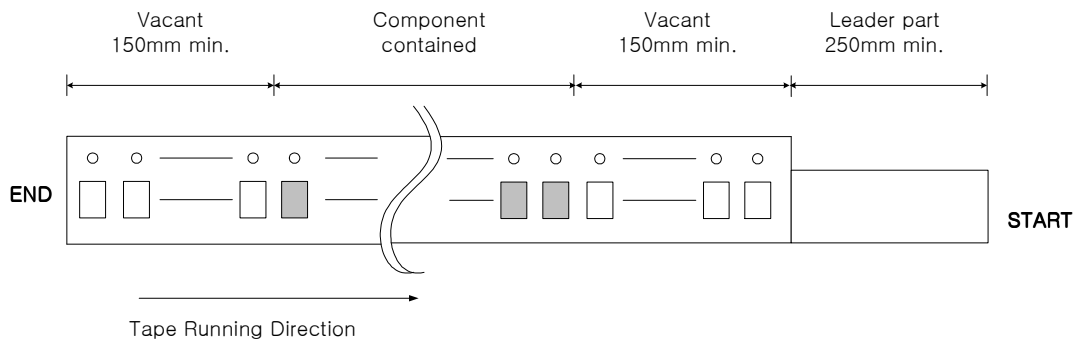
## Packing Specification

1. Reeling Quantity : 1000 pcs / reel
2. Taping Structure : The tape shall be wound around the reel in the direction shown below.



## Tape Specification

1. Leader part and vacant position specification

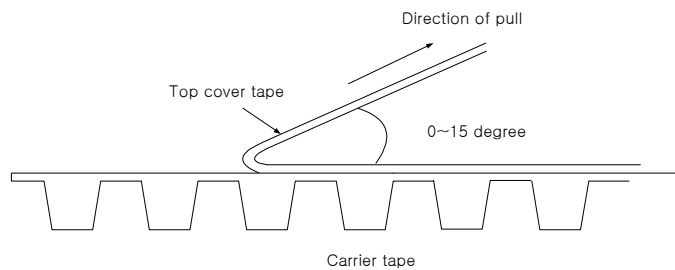


2. Tensile strength of carrier tape

4.4N/mm width

3. Top cover tape adhesion

- 1) pull off angle : 0~15°
- 2) speed : 300mm/min
- 3) force : 20~70g

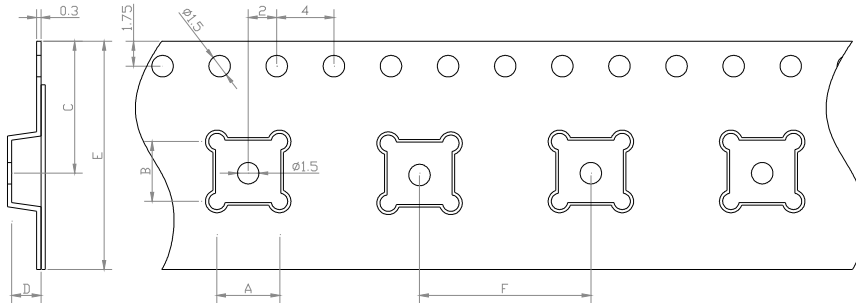


	<b>ITF Co., Ltd.</b> 102-901, Bucheon Technopark 364, Samjeong-Dong, Ojeong-Gu, Bucheon-City, Gyeonggi-Do, Korea 421-809	Part No.	F8696	
		Rev. Date	2018-10-11	
		Rev.	NRTF06-AS05	7/8

# SAW Bandpass Filter F8696

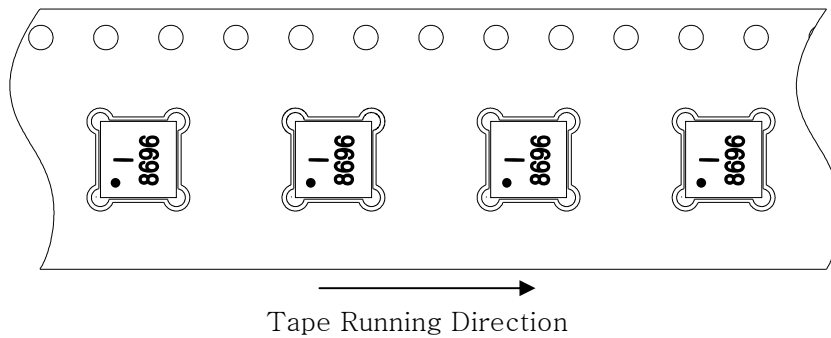


## Carrier Tape Dimensions [unit : mm]

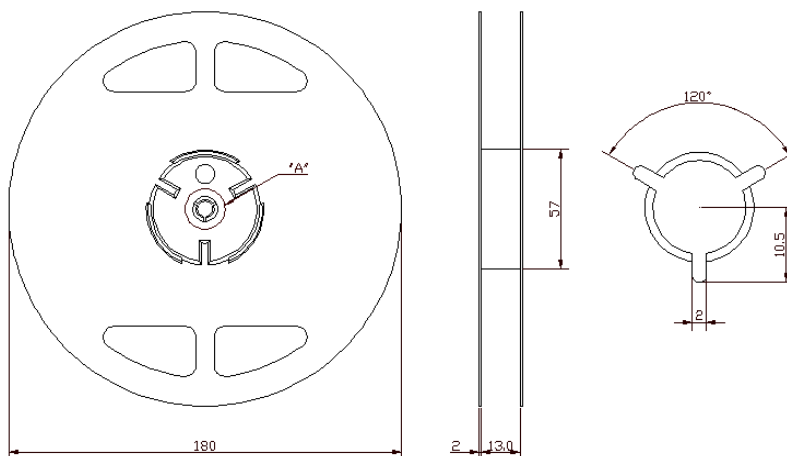


A	3.40 ± 0.1
B	3.40 ± 0.1
C	7.25 ± 0.1
D	1.70 ± 0.1
E	12.00 ± 0.1
F	8.00 ± 0.1

## Part Direction



## Reel Dimensions [unit : mm]



	<b>ITF Co., Ltd.</b> 102-901, Bucheon Technopark 364, Samjeong-Dong, Ojeong-Gu, Bucheon-City, Gyeonggi-Do, Korea 421-809	Part No.	F8696	
		Rev. Date	2018-10-11	
		Rev.	NRTF06-AS05	8/8