

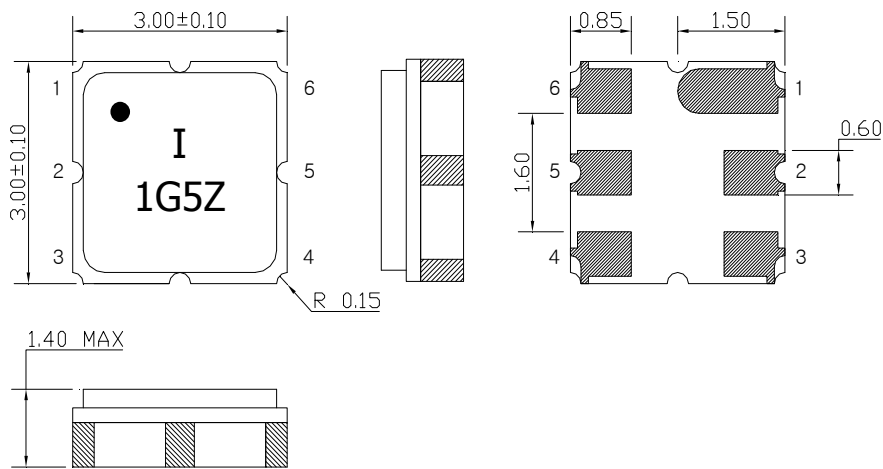
SAW Bandpass Filter F1G5Z



Features

- RF bandpass filter
- Usable bandwidth 56 MHz
- Ceramic Surface Mounted Device (SMD) Package (3.0mm × 3.0mm)
- RoHS/RoHS2 (2015/863/EU) Compliant
- This part is compliant with AEC-Q200

Package Dimensions



Dimensions shown are nominal in millimeters

Body : Al₂O₃ Ceramic

Lid : Kovar, Ni Plated


Terminations : Au plating 0.3 ~ 1.0 um, Over a 1.27 ~ 8.89 um Ni Plating

| Pin Configuration | |
|-------------------|--------|
| 2 | Input |
| 5 | Output |
| 1, 3, 4, 6 | Ground |

Maximum Ratings

| Parameter | Unit | Minimum | Typical | Maximum |
|-----------------------------|------|---------|---------|---------|
| Operating Temperature Range | °C | -40 | 25 | 110 |
| Storage Temperature Range | °C | -45 | 25 | 125 |
| Power Handling Capability | dBm | - | - | 10 |
| Maximum Input Power | V | - | - | 6 |

Electrostatics Sensitive Device (ESD)

| | | | | |
|---|---|-----------|-------------|-----|
|  | ITF Co., Ltd. 102-901, Bucheon Technopark 364, Samjeong-Dong, Ojeong-Gu, Bucheon-City, Gyeonggi-Do, Korea 421-809 | Part No. | F1G5Z | |
| | | Rev. Date | 2019-08-12 | |
| | | Rev. | NRSJ02-AS05 | 1/7 |

SAW Bandpass Filter F1G5Z




Specifications

Fc = 1588.0 MHz

| | | Minimum | Typical | Maximum |
|----------------------------------|-----|---------|---------|---------|
| Center frequency (Fc) | MHz | - | 1588 | - |
| Insertion Loss (Fc ± 28 MHz) | dB | - | 2.5 | 3.5 |
| Amplitude Ripple (Fc ± 28 MHz) | dB | - | 1.0 | 1.7 |
| Absolute Attenuation | | | | |
| 1140.0 ~ 1400.0 MHz | dB | 40 | 45 | - |
| 1400.0 ~ 1525.0 MHz | | 33 | 37 | - |
| 1645.0 ~ 1750.0 MHz | | 27 | 32 | - |
| 1750.0 ~ 2000.0 MHz | | 40 | 45 | - |
| Input/Output impedance | Ohm | - | 50 | - |

Notes :

- 1) All specifications are based on the matching schematic shown below, measured by Agilent Network analyzer and full 2 port calibration.
- 2) Electrical margin has been built into the design to account for the variations due to temperature drift and manufacturing tolerances

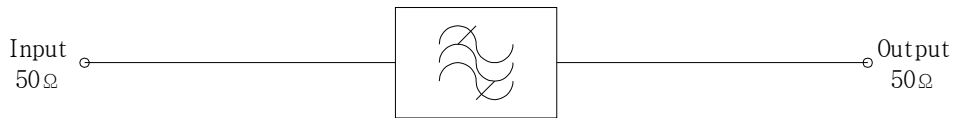
| | | | | |
|---|---|-----------|-------------|-----|
|  Integrated Technology Future | ITF Co., Ltd. 102-901, Bucheon Technopark 364, Samjeong-Dong, Ojeong-Gu, Bucheon-City, Gyeonggi-Do, Korea 421-809 | Part No. | F1G5Z | |
| | | Rev. Date | 2019-08-12 | |
| | | Rev. | NRSJ02-AS05 | 2/7 |

SAW Bandpass Filter F1G5Z



Matching Schematic

(Actual matching values may vary due to PCB layout and parasitics)



Marking Configuration

●¹⁾
I²⁾
1G5Z³⁾

1) Pad Number 1 Index

2) Manufacturer name

3) Marking Number

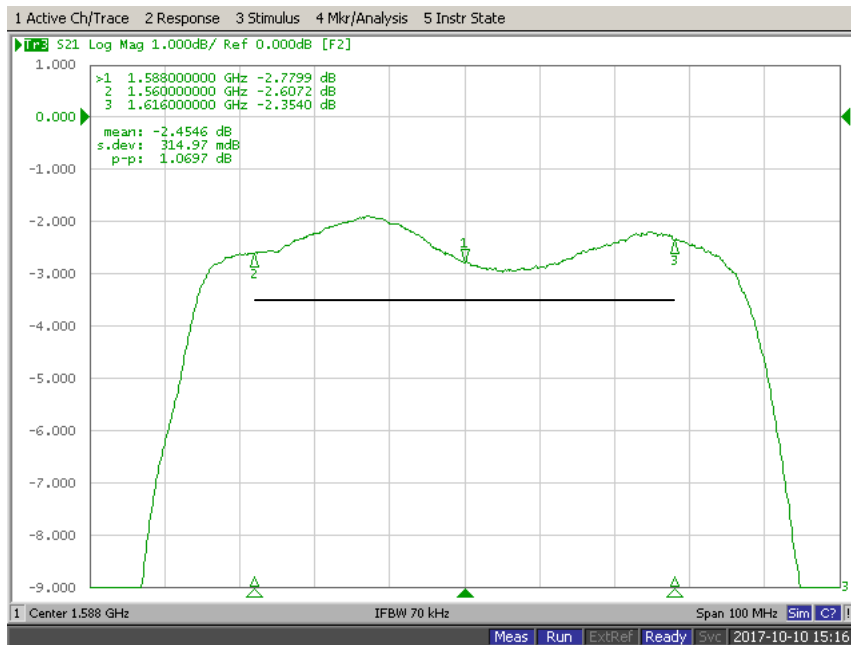
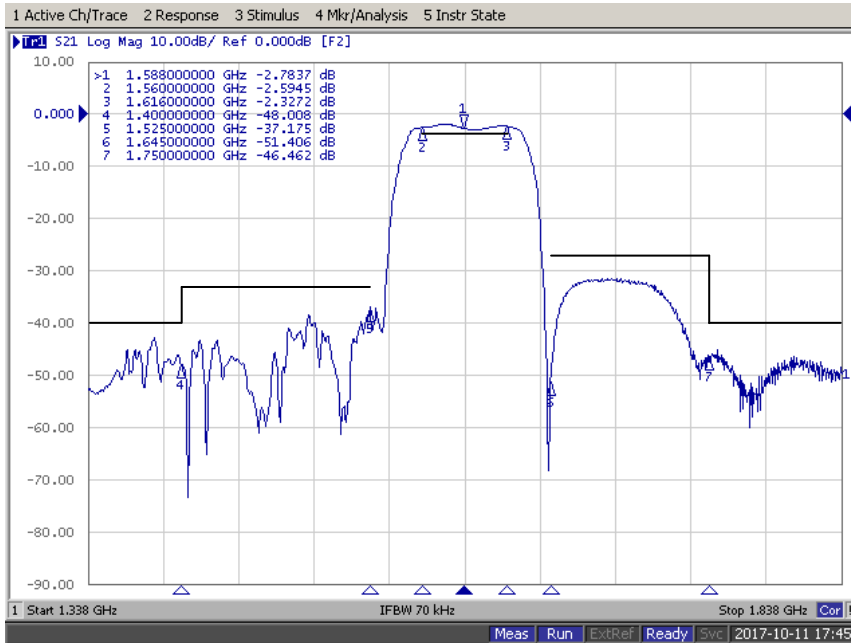
* Ink or Laser Marking available

| | | | | |
|--|---|-----------|-------------|-----|
| | ITF Co., Ltd. 102-901, Bucheon Technopark 364, Samjeong-Dong, Ojeong-Gu, Bucheon-City, Gyeonggi-Do, Korea 421-809 | Part No. | F1G5Z | |
| | | Rev. Date | 2019-08-12 | |
| | | Rev. | NRSJ02-AS05 | 3/7 |

SAW Bandpass Filter F1G5Z



Typical Performance (at 25°C)



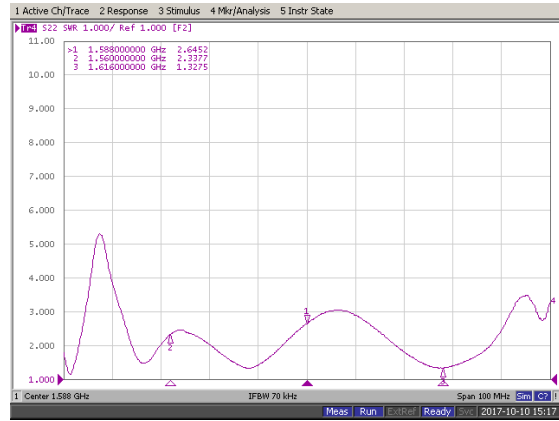
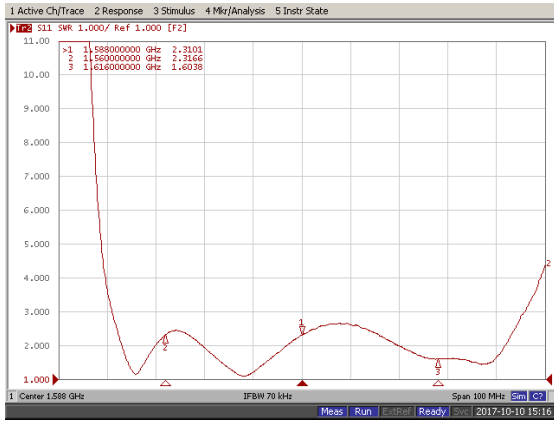
ITF Co., Ltd.
102-901, Bucheon Technopark 364,
Samjeong-Dong, Ojeong-Gu, Bucheon-City,
Gyeonggi-Do, Korea 421-809

| | | |
|-----------|-------------|-----|
| Part No. | F1G5Z | |
| Rev. Date | 2019-08-12 | |
| Rev. | NRSJ02-AS05 | 4/7 |

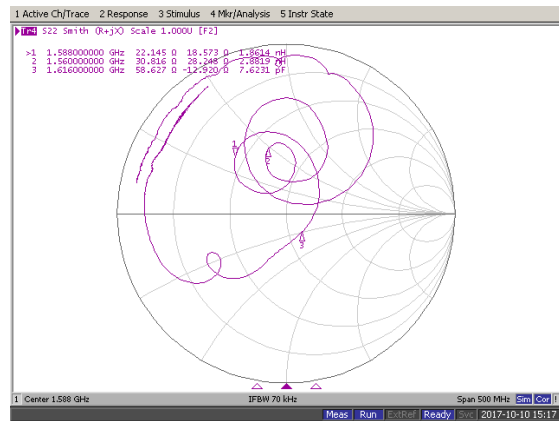
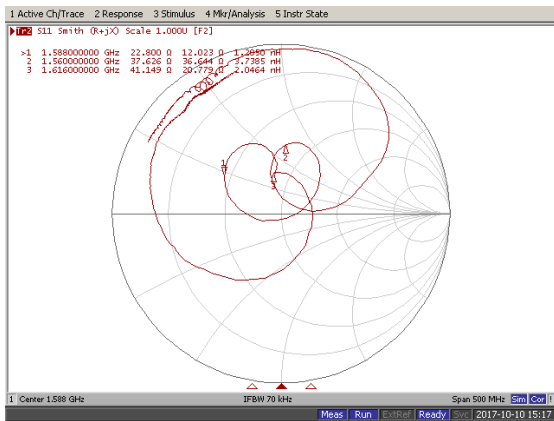
SAW Bandpass Filter F1G5Z



Input / Output VSWR Charts



Input / Output Smith Charts



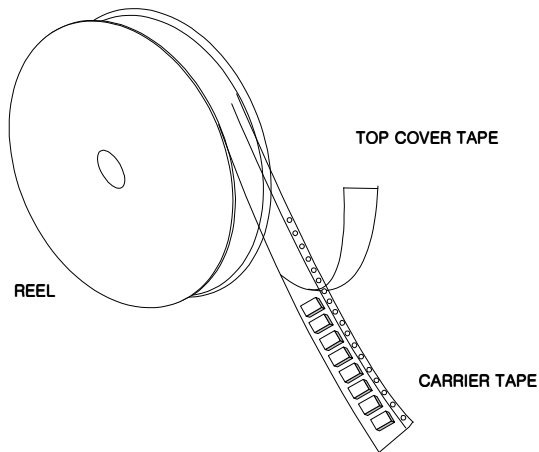
| | | | | |
|--|---|-----------|-------------|-----|
| | ITF Co., Ltd. 102-901, Bucheon Technopark 364, Samjeong-Dong, Ojeong-Gu, Bucheon-City, Gyeonggi-Do, Korea 421-809 | Part No. | F1G5Z | |
| | | Rev. Date | 2019-08-12 | |
| | | Rev. | NRSJ02-AS05 | 5/7 |

SAW Bandpass Filter F1G5Z



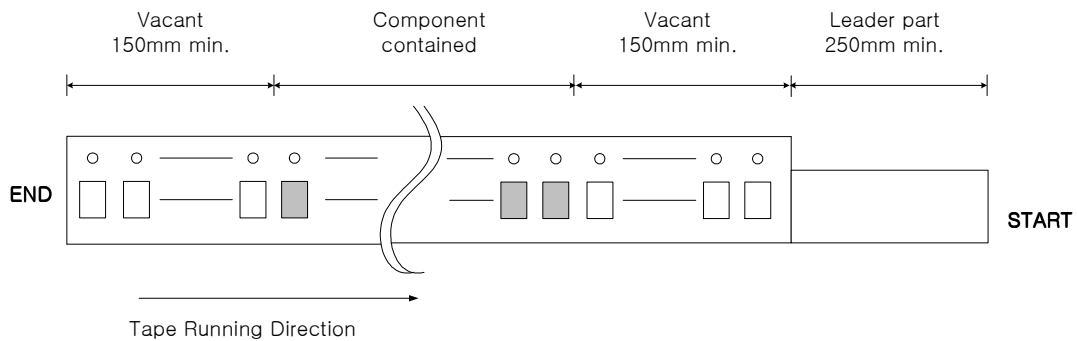
Packing Specification

1. Reeling Quantity : 1000 pcs / reel
2. Taping Structure : The tape shall be wound around the reel in the direction shown below.



Tape Specification

1. Leader part and vacant position specification

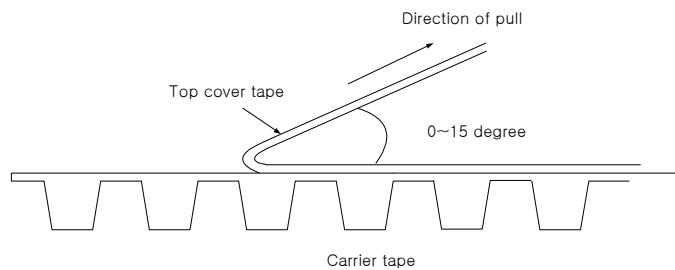


2. Tensile strength of carrier tape

4.4N/mm width

3. Top cover tape adhesion

- 1) pull off angle : 0~15°
- 2) speed : 300mm/min
- 3) force : 20~70g

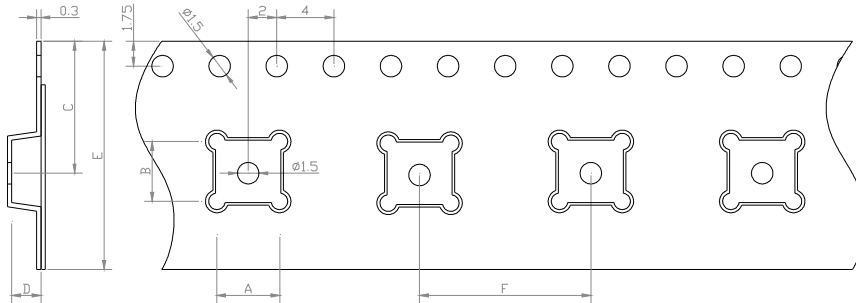


| | | | | |
|--|---|-----------|-------------|-----|
| | ITF Co., Ltd. 102-901, Bucheon Technopark 364, Samjeong-Dong, Ojeong-Gu, Bucheon-City, Gyeonggi-Do, Korea 421-809 | Part No. | F1G5Z | |
| | | Rev. Date | 2019-08-12 | |
| | | Rev. | NRSJ02-AS05 | 6/7 |

SAW Bandpass Filter F1G5Z

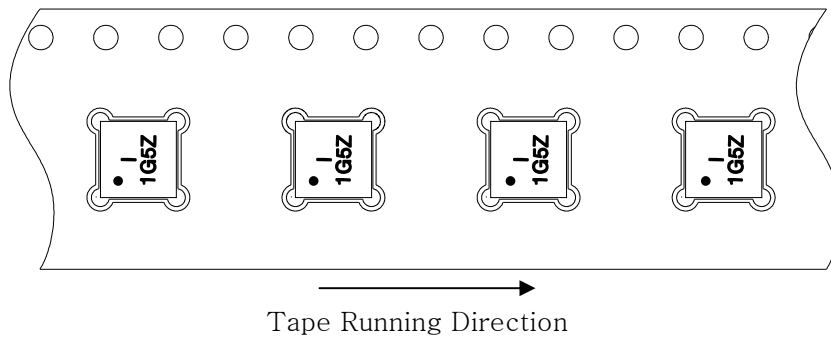


Carrier Tape Dimensions [unit : mm]

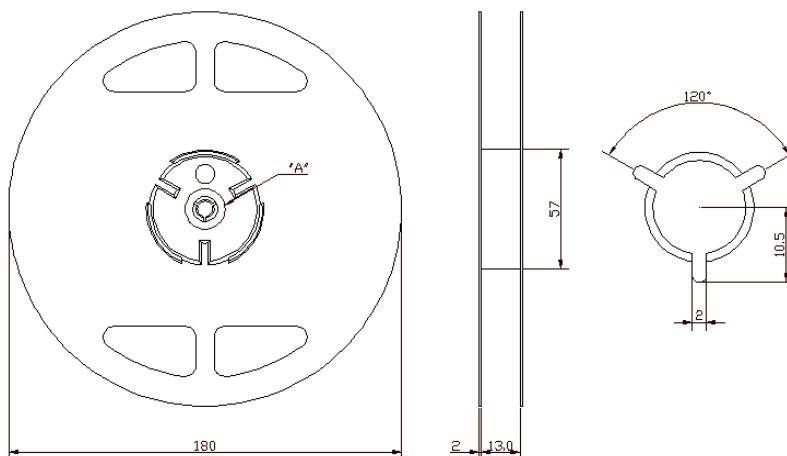


| | |
|---|-------------|
| A | 3.40 ± 0.1 |
| B | 3.40 ± 0.1 |
| C | 7.25 ± 0.1 |
| D | 1.70 ± 0.1 |
| E | 12.00 ± 0.1 |
| F | 8.00 ± 0.1 |

Part Direction



Reel Dimensions [unit : mm]



| | | | | |
|--|---|-----------|-------------|-----|
| | ITF Co., Ltd. 102-901, Bucheon Technopark 364, Samjeong-Dong, Ojeong-Gu, Bucheon-City, Gyeonggi-Do, Korea 421-809 | Part No. | F1G5Z | |
| | | Rev. Date | 2019-08-12 | |
| | | Rev. | NRSJ02-AS05 | 7/7 |