

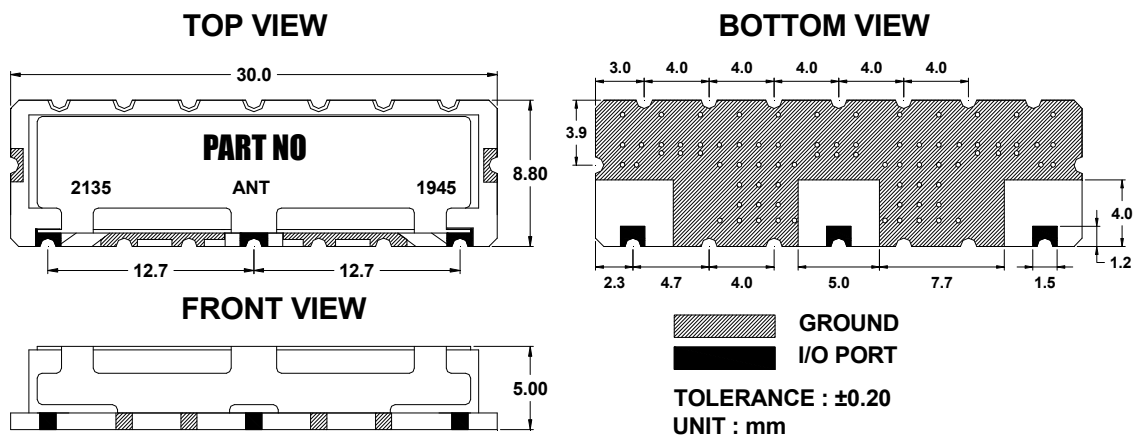
Ceramic DUPLEXER IDD21367

2135 MHz / 1945 MHz

Features

- Ceramic Duplexer
- Usable bandwidth 30 MHz each Rx. And Tx. band
- No matching / Antenna & Transmitter & Receiver Impedance 50Ω
- Surface Mounted Module Package (30mm × 8.8mm × 5mm)

Package Dimension




Pin Configuration	
Description	Function
RX (1930 ~ 1960MHz)	RECEIVER
ANT	ANTENNA
TX (2120 ~ 2150MHz)	TRANSMITTER

Maximum Ratings

Parameter	Unit	Minimum	Typical	Maximum
Operating Temperature Range	°C	-40	25	+85
Storage Temperature Range	°C	-40	-	+85

Electrostatics Sensitive Device (ESD)

	ITF Co., Ltd. 102-901, Bucheon Technopark 364, Samjeong-Dong, Ojeong-Gu, Bucheon-City, Gyeonggi-Do, Korea 421-809	Part No.	IDD21367	
		Rev. Date	2014-9-16	
		Rev.	AS01	1/2

Ceramic DUPLEXER IDD21367

2135 MHz / 1945 MHz

Specification


Fo = 2135 MHz / 1945 MHz

ANT to Rx		Minimum	Typical	Maximum
Insertion loss (1945 MHz +/-15 MHz)	dB	-	1.8	2.0
Amplitude Ripple (1945 MHz +/-15 MHz)	dB	-	0.3	0.5
Return Loss (1945 MHz +/-15 MHz)	dB	18	20	-
Input power (1945 MHz +/-15 MHz)	Watt	3W > 50000 Hours, CW tone (Ta=+50°C)		
Relative Attenuation 2120 ~ 2150 MHz	dB	60	63	-

Tx to ANT		Minimum	Typical	Maximum
Insertion loss (2135 MHz +/-15 MHz)	dB	-	1.8	2.0
Amplitude Ripple (2135 MHz +/-15 MHz)	dB	-	0.3	0.5
Return Loss (2135 MHz +/-15 MHz)	dB	18	20	-
Input power (2135 MHz +/-15 MHz)	Watt	3W > 50000 Hours, CW tone (Ta=+50°C)		
Relative Attenuation 1930 ~ 1960 MHz	dB	60	63	-

Notes :

- 1) All specifications are based on the matching schematic shown below, measured by Agilent Network analyzer and full 3 port calibration.
- 2) Electrical margin has been built into the design to account for the variations due to temperature drift and manufacturing tolerances
- 3) All attenuation measurements are measured absolute to insertion loss

	ITF Co., Ltd. 102-901, Bucheon Technopark 364, Samjeong-Dong, Ojeong-Gu, Bucheon-City, Gyeonggi-Do, Korea 421-809	Part No.	IDD21367	
		Rev. Date	2014-9-16	
		Rev.	AS01	2/2