

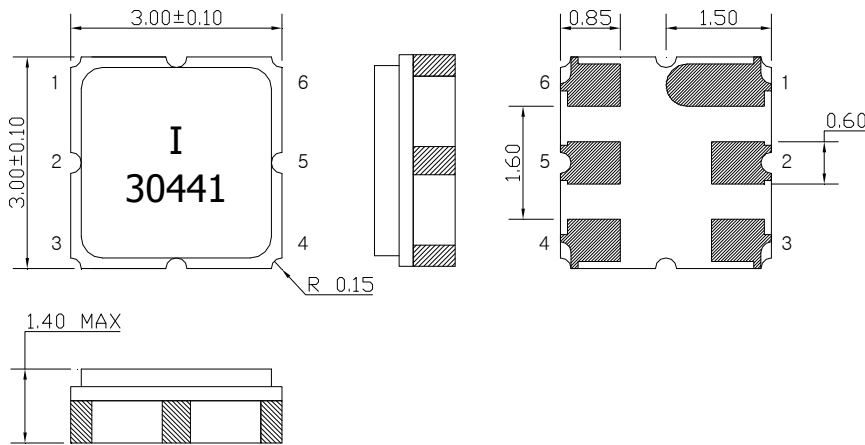
SAW Resonator Filter R30441



Features

- RF Resonator filter
- No matching single-ended operation
- Ceramic Surface Mounted Device (SMD) Package (3.0 mm * 3.0 mm)
- RoHS Compliant

Package Dimensions



Dimensions shown are nominal in millimeters

Body : Al₂O₃ Ceramic

Lid : Kovar, Ni Plated

Terminations : Au plating 0.3 ~ 1.0 um, Over a 1.27 ~ 8.89 um Ni Plating

Pin Configuration

2	Input
5	Output
1, 3, 4, 6	Case ground

Maximum Ratings

Parameter	Unit	Minimum	Typical	Maximum
Operating Temperature Range	℃	-40	25	85
Storage Temperature Range	℃	-40	25	85
Power Handling Capability	dBm	-	-	0

Electrostatics Sensitive Device (ESD)

	ITF Co., Ltd. 102-901, Bucheon Technopark 364, Samjeong-Dong, Ojeong-Gu, Bucheon-City, Gyeonggi-Do, Korea 421-809	Part No.	R30441	
		Rev. Date	2017-5-10	
		Rev.	AS 03	1/6

SAW Resonator Filter R30441




Specifications

Fc = 304.3 MHz

	Minimum	Typical	Maximum	Unit
Center Frequency (Fc)	304.25	304.3	304.35	MHz
Insertion Loss	-	1.4	1.9	dB
50 ohm Loaded Q	1,000	2,000	-	
Unloaded Q	8,000	12,800	-	
Trun-over Temperature	10	25	40	°C
Temperature Coefficient of Frequency	-	0.037	-	ppm/°C ²

Notes :

- 1) All specifications are based on the matching schematic shown below, measured by Agilent Network analyzer and full 2 port calibration.
- 2) Electrical margin has been built into the design to account for the variations due to temperature drift and manufacturing tolerances

 Integrated Technology Future	ITF Co., Ltd. 102-901, Bucheon Technopark 364, Samjeong-Dong, Ojeong-Gu, Bucheon-City, Gyeonggi-Do, Korea 421-809	Part No.	R30441	
		Rev. Date	2017-5-10	
		Rev.	AS 03	2/6

SAW Resonator Filter R30441



Matching Schematic

(Actual matching values may vary due to PCB layout and parasitics)



Marking Configuration

I ¹⁾

30441 ²⁾

1) Manufacturer name

2) Marking Number

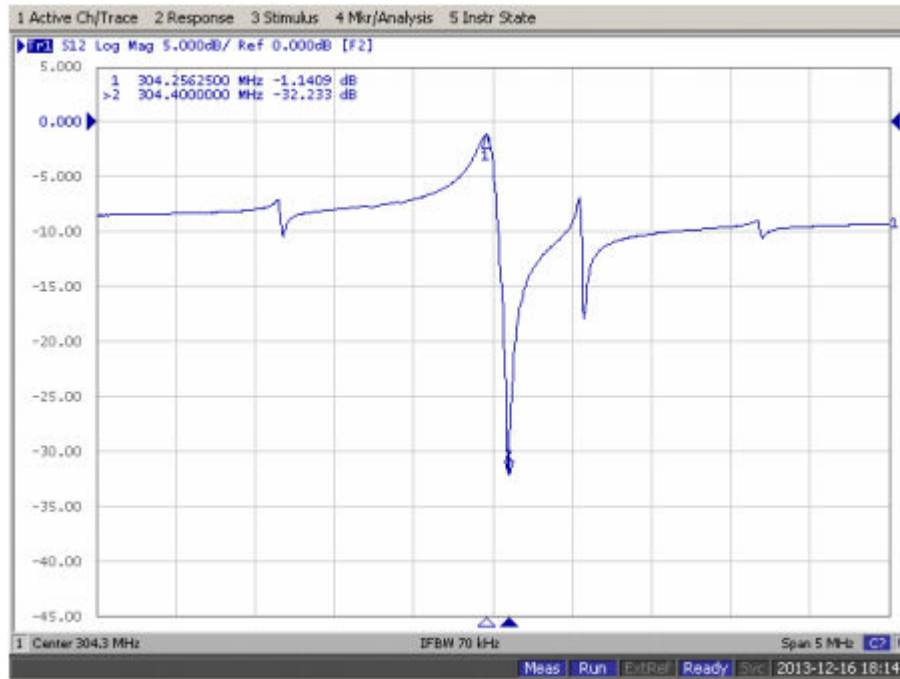
* Ink or Laser Marking available


	ITF Co., Ltd. 102-901, Bucheon Technopark 364, Samjeong-Dong, Ojeong-Gu, Bucheon-City, Gyeonggi-Do, Korea 421-809	Part No.	R30441	
		Rev. Date	2017-5-10	
		Rev.	AS 03	3/6

SAW Resonator Filter R30441



Frequency Response



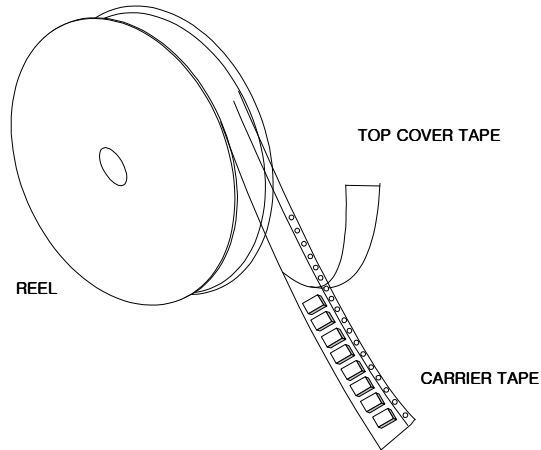
 Integrated Technology Future	ITF Co., Ltd. 102-901, Bucheon Technopark 364, Samjeong-Dong, Ojeong-Gu, Bucheon-City, Gyeonggi-Do, Korea 421-809	Part No.	R30441	
		Rev. Date	2017-5-10	
		Rev.	AS 03	4/6

SAW Resonator Filter R30441



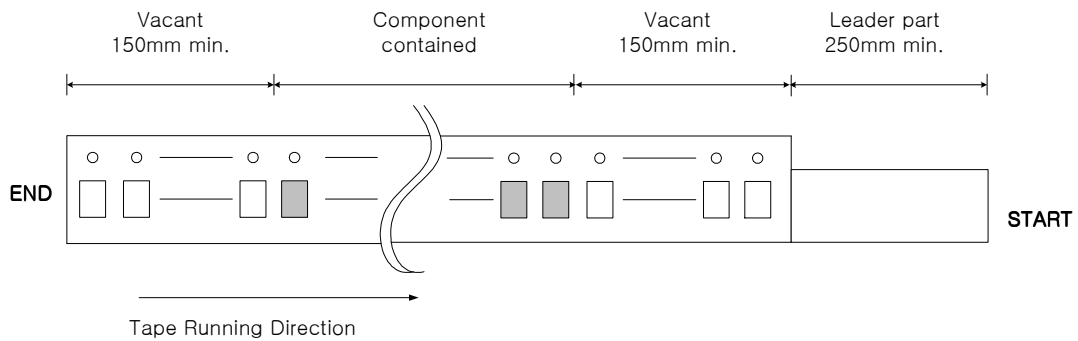
Packing Specification

1. Reeling Quantity : 3000 pcs / 13" reel (or 1000 pcs / 7" reel)
2. Taping Structure : The tape shall be wound around the reel in the direction shown below.



Tape Specification

1. Leader part and vacant position specification

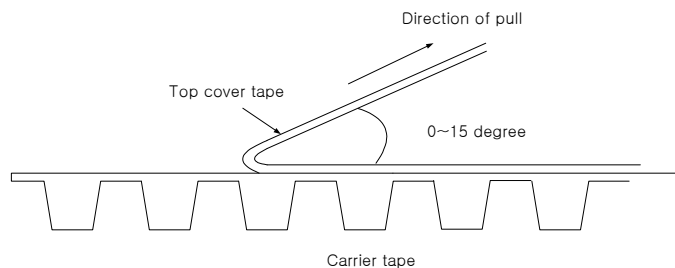


2. Tensile strength of carrier tape

4.4N/mm width

3. Top cover tape adhesion

- 1) pull off angle : 0~15°
- 2) speed : 300mm/min
- 3) force : 20~70g

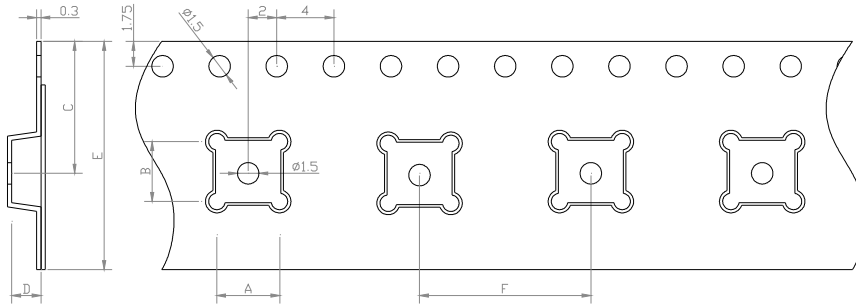


	ITF Co., Ltd. 102-901, Bucheon Technopark 364, Samjeong-Dong, Ojeong-Gu, Bucheon-City, Gyeonggi-Do, Korea 421-809	Part No.	R30441	
		Rev. Date	2017-5-10	
		Rev.	AS 03	5/6

SAW Resonator Filter R30441

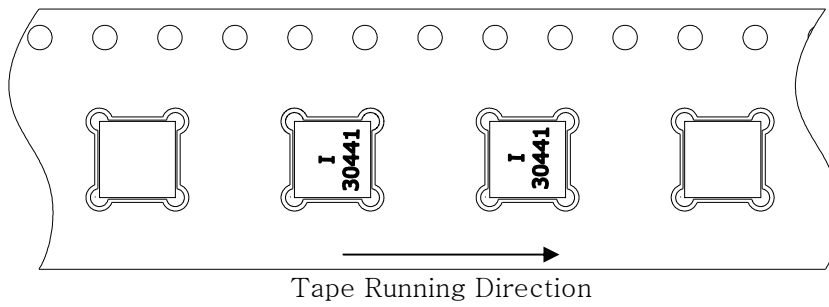


Carrier Tape Dimensions [unit : mm]

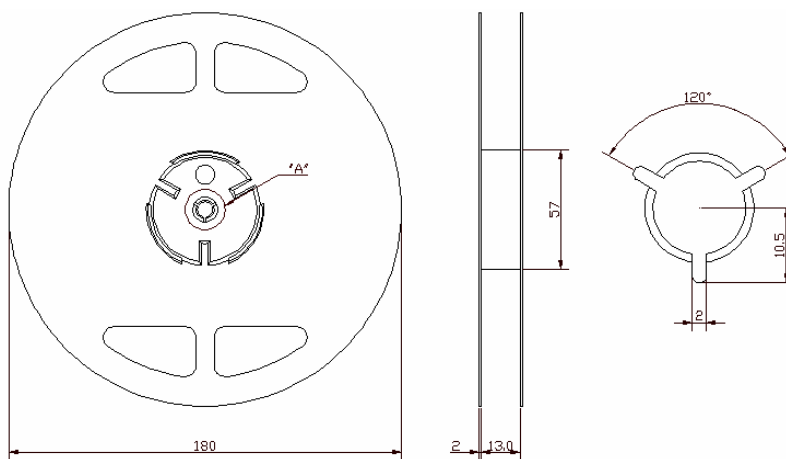


A	3.40 ± 0.1
B	3.40 ± 0.1
C	7.25 ± 0.1
D	1.70 ± 0.1
E	12.00 ± 0.1
F	8.00 ± 0.1

Part Direction



Reel Dimensions [unit : mm]



	ITF Co., Ltd. 102-901, Bucheon Technopark 364, Samjeong-Dong, Ojeong-Gu, Bucheon-City, Gyeonggi-Do, Korea 421-809	Part No.	R30441	
		Rev. Date	2017-5-10	
		Rev.	AS 03	6/6