

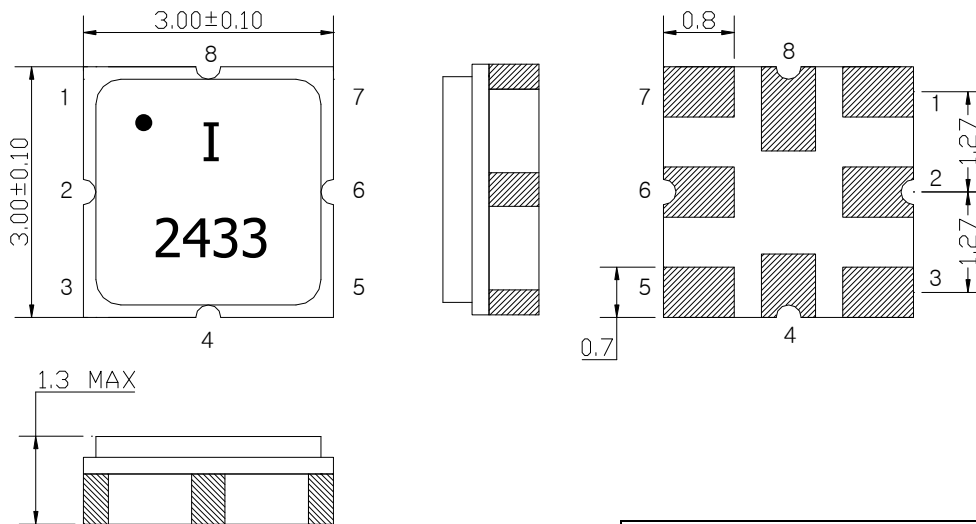
SAW Bandpass Filter F2433



Features

- RF bandpass filter
- High attenuation
- 3dB bandwidth 260kHz
- 50Ω single-ended operation
- Ceramic Surface Mounted Device (SMD) Package (3.0mm * 3.0 mm)
- RoHS Compliant

Package Dimension – SMD 3.0 × 3.0



Dimensions shown are nominal in millimeters

Body : Al₂O₃ Ceramic

Lid : Kovar, Ni Plated

Terminations : Au plating 0.3 ~ 1.0 um, Over a 1.27 ~ 8.89 um Ni Plating

Pin Configuration

3	Input
7	Output
1, 2, 4, 5, 6, 8	Case ground

Maximum Ratings

Parameter	Unit	Minimum	Typical	Maximum
Operating Temperature Range	℃	-40	25	85
Storage Temperature Range	℃	-45	25	85
Power Handling Capability	dBm	-	0	-

Electrostatics Sensitive Device (ESD)

	ITF Co., Ltd. 102-901, Bucheon Technopark 364, Samjeong-Dong, Ojeong-Gu, Bucheon-City, Gyeonggi-Do, Korea 421-809	Part No.	NSNB01-F2433	
		Rev. Date	2012-02-13	
		Rev.	AS 01	1/7

SAW Bandpass Filter F2433



Specifications

Fc = 243.95 MHz


Terminating source impedance : 50Ω

Terminating load impedance : 50Ω

	Minimum	Typical	Maximum	Unit
Center Frequency (Fc)	-	243.95	-	MHz
3dB Band Width	-	260	-	kHz
Insertion Loss (At Fc)	-	3.5	4.5	dB
Relative Attenuation				
Fc +/- 0.6MHz	20	25	-	dB
Fc +/- 1.2MHz	35	40	-	
Fc +/- 21.6MHz	50	55	-	
Input/Output Impedance		50		Ohms

Notes :

- 1) All specifications are based on the matching schematic shown below, measured by Agilent Network analyzer and full 2 port calibration.
- 2) Electrical margin has been built into the design to account for the variations due to temperature drift and manufacturing tolerances

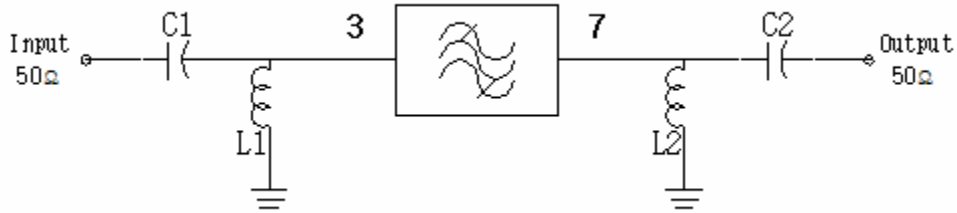
 Integrated Technology Future	ITF Co., Ltd. 102-901, Bucheon Technopark 364, Samjeong-Dong, Ojeong-Gu, Bucheon-City, Gyeonggi-Do, Korea 421-809	Part No.	NSNB01-F2433	
		Rev. Date	2012-02-13	
		Rev.	AS 01	2/7

SAW Bandpass Filter F2433



Matching Schematic

(Actual matching values may vary due to PCB layout and parasitics)



C1,C2 = 4.0 pF

L1,L2 = 68 nH

Marking Configuration

●¹⁾
I²⁾
2433³⁾

1) Pad Number 1 Index

2) Manufacturer name

3) Marking Number

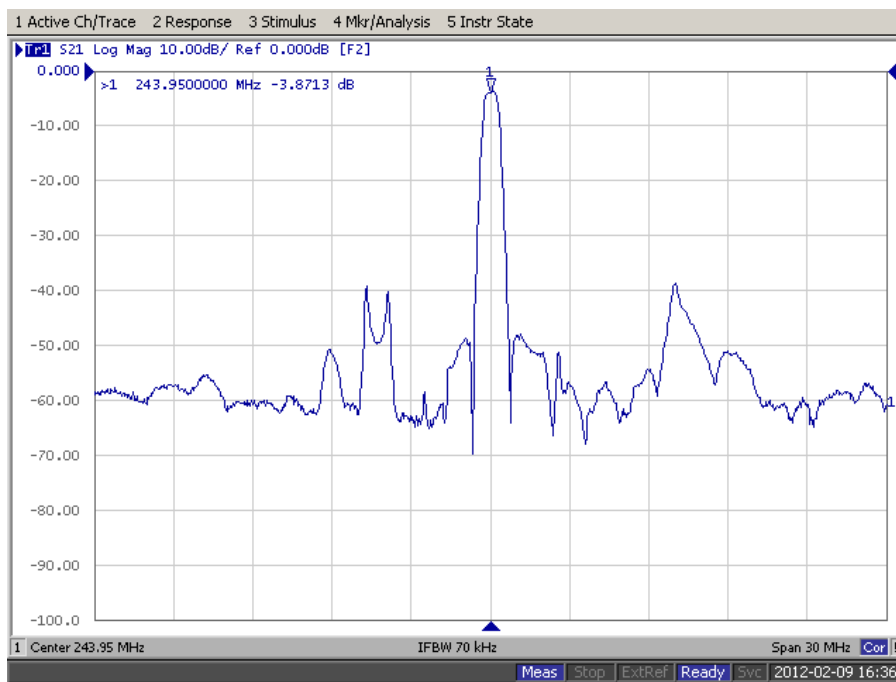
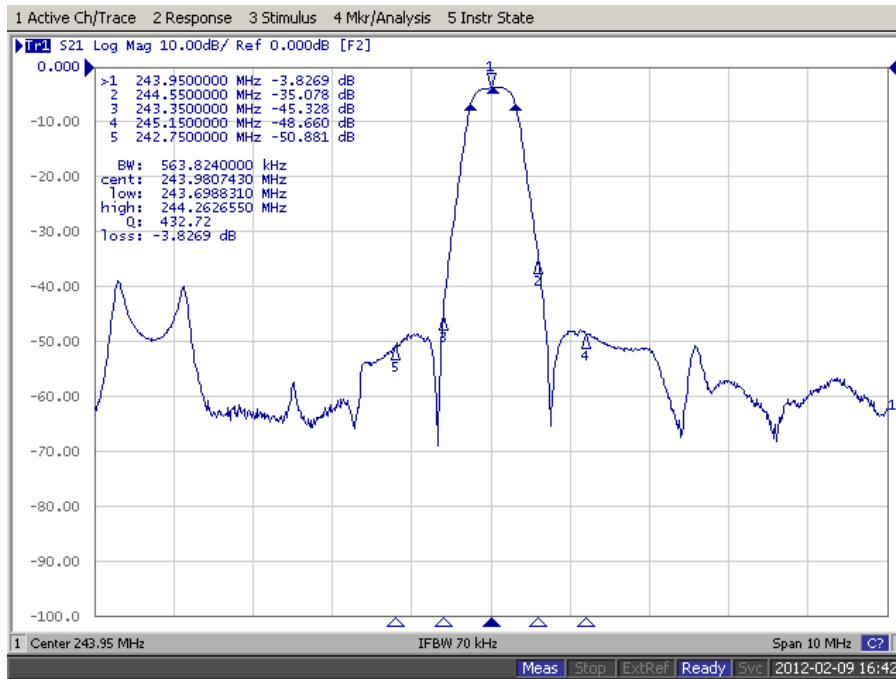
* Ink or Laser Marking available

	ITF Co., Ltd. 102-901, Bucheon Technopark 364, Samjeong-Dong, Ojeong-Gu, Bucheon-City, Gyeonggi-Do, Korea 421-809	Part No.	NSNB01-F2433	
		Rev. Date	2012-02-13	
		Rev.	AS 01	3/7

SAW Bandpass Filter F2433



Typical Performance (at 25 °C)



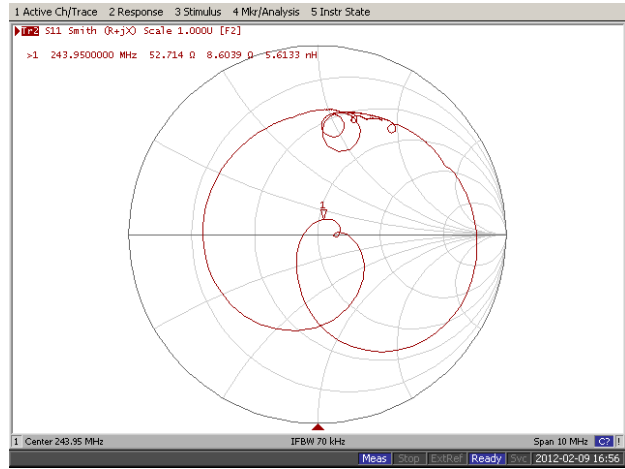
ITF Co., Ltd.
 102-901, Bucheon Technopark 364,
 Samjeong-Dong, Ojeong-Gu, Bucheon-City,
 Gyeonggi-Do, Korea 421-809

Part No.	NSNB01-F2433	
Rev. Date	2012-02-13	
Rev.	AS 01	4/7

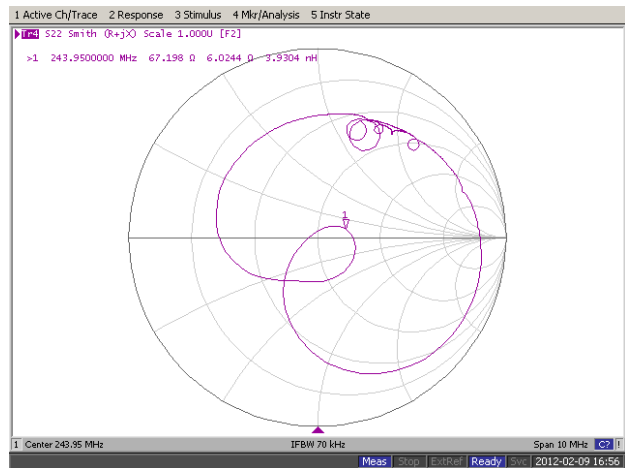
SAW Bandpass Filter F2433



Input / Output VSWR Charts



Input / Output Smith Charts



ITF Co., Ltd.
 102-901, Bucheon Technopark 364,
 Samjeong-Dong, Ojeong-Gu, Bucheon-City,
 Gyeonggi-Do, Korea 421-809

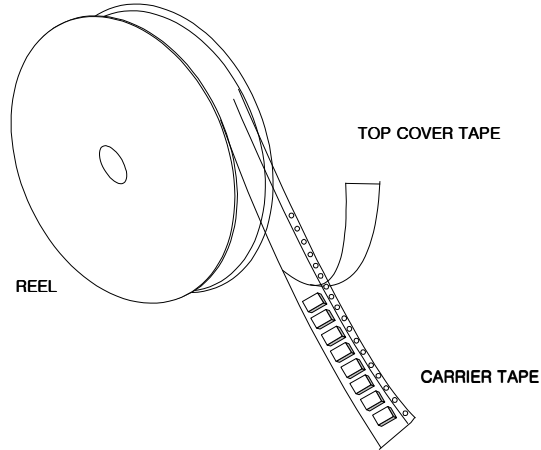
Part No.	NSNB01-F2433	
Rev. Date	2012-02-13	
Rev.	AS 01	5/7

SAW Bandpass Filter F2433



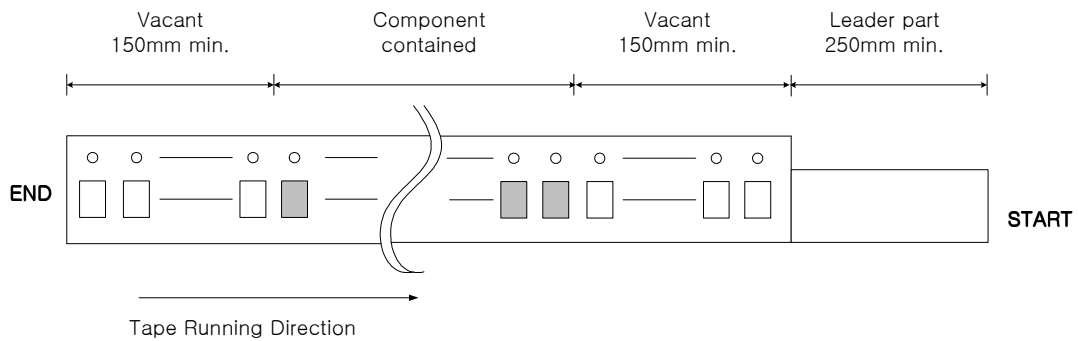
Packing Specification

1. Reeling Quantity : 3000 pcs / 13" reel (or 1000 pcs / 7" reel)
2. Taping Structure : The tape shall be wound around the reel in the direction shown below.



Tape Specification

1. Leader part and vacant position specification

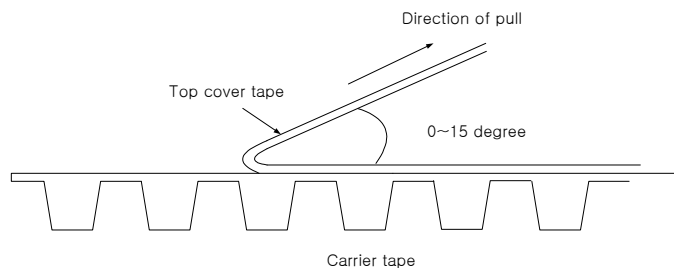


2. Tensile strength of carrier tape

4.4N/mm width

3. Top cover tape adhesion

- 1) pull off angle : 0~15°
- 2) speed : 300mm/min
- 3) force : 20~70g

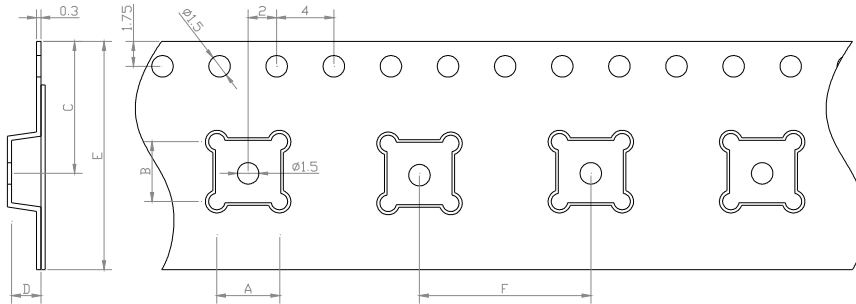


	ITF Co., Ltd. 102-901, Bucheon Technopark 364, Samjeong-Dong, Ojeong-Gu, Bucheon-City, Gyeonggi-Do, Korea 421-809	Part No.	NSNB01-F2433	
		Rev. Date	2012-02-13	
		Rev.	AS 01	6/7

SAW Bandpass Filter F2433

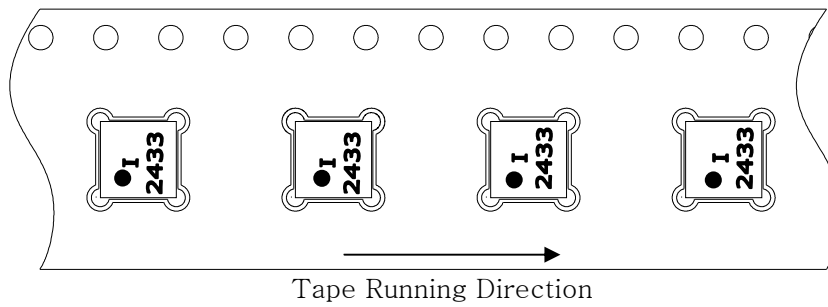


Carrier Tape Dimensions [unit : mm]

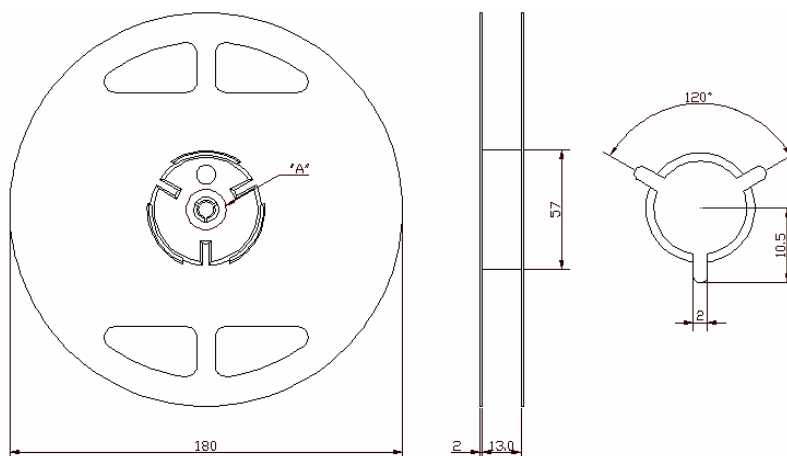


A	3.40 ± 0.1
B	3.40 ± 0.1
C	7.25 ± 0.1
D	1.70 ± 0.1
E	12.00 ± 0.1
F	8.00 ± 0.1

Part Direction



Reel Dimensions [unit : mm]



	ITF Co., Ltd. 102-901, Bucheon Technopark 364, Samjeong-Dong, Ojeong-Gu, Bucheon-City, Gyeonggi-Do, Korea 421-809	Part No.	NSNB01-F2433	
		Rev. Date	2012-02-13	
		Rev.	AS 01	7/7