

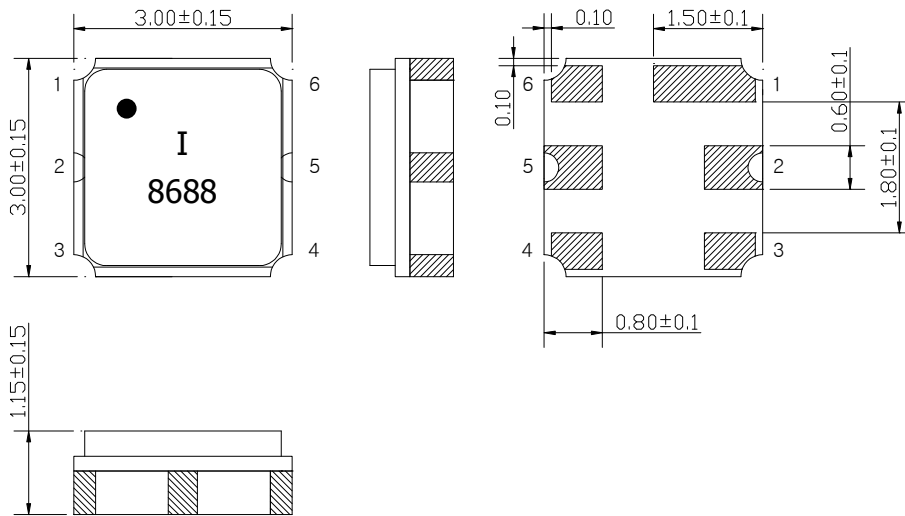
SAW Bandpass Filter F8688



Features

- RF bandpass filter
- Usable bandwidth 1.2 MHz
- Ceramic Surface Mounted Device (SMD) Package (3.0mm × 3.0mm)
- RoHS Compliant

Package Dimensions



Dimensions shown are nominal in millimeters

Body : Al_2O_3 Ceramic

Lid : Kovar, Ni Plated


Terminations : Au plating 0.3 ~ 1.0 μ m, Over a 1.27 ~ 8.89 μ m
Ni Plating

Pin Configuration	
2	Input
5	Output
1, 3, 4, 6	Ground

Maximum Ratings

Parameter	Unit	Minimum	Typical	Maximum
Operating Temperature Range	$^{\circ}C$	-35	25	105
Storage Temperature Range	$^{\circ}C$	-35	-	105
Power Handling Capability	dBm	-	-	-

Electrostatics Sensitive Device (ESD)

	ITF Co., Ltd. 102-901, Bucheon Technopark 364, Samjeong-Dong, Ojeong-Gu, Bucheon-City, Gyeonggi-Do, Korea 421-809	Part No.	F8688	
		Rev. Date	2018-06-21	
		Rev.	NRTF05-AS04	1/7

SAW Bandpass Filter F8688




Specifications

Fc = 868.6 MHz

		Minimum	Typical	Maximum
Center frequency (Fc)	MHz	-	868.6	-
Minimum insertion attenuation (α_{min})	dB	-	2.7	3.5
Pass band (relative to α_{min}) 868.00 ~ 869.20 MHz	dBc	-	1.0	2.5
Relative attenuation (relative to α_{min})				
10.0 ~ 820.0 MHz		42	47	-
820.0 ~ 859.0 MHz		27	32	-
859.0 ~ 866.6 MHz		20	27	-
866.6 ~ 867.2 MHz		10	20	-
870.4 ~ 871.4 MHz	dB	10	16	-
871.4 ~ 875.0 MHz		20	26	-
875.0 ~ 890.0 MHz		25	32	-
890.0 ~ 950.0 MHz		37	42	-
950.0 ~ 1500.0 MHz		42	47	-
1500.0 ~ 2500.0 MHz		52	57	-
Input/Output impedance	Ohm	-	50	-

Notes :

- 1) All specifications are based on the matching schematic shown below, measured by Agilent Network analyzer and full 2 port calibration.
- 2) Electrical margin has been built into the design to account for the variations due to temperature drift and manufacturing tolerances

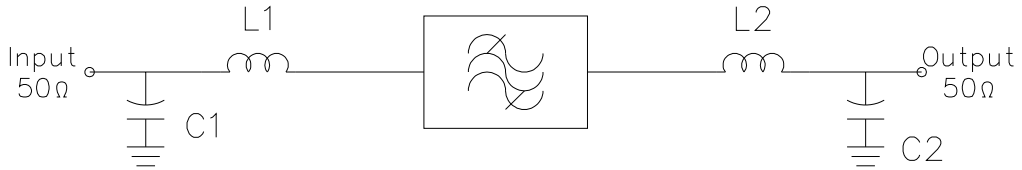
	ITF Co., Ltd. 102-901, Bucheon Technopark 364, Samjeong-Dong, Ojeong-Gu, Bucheon-City, Gyeonggi-Do, Korea 421-809	Part No.	F8688	
		Rev. Date	2018-06-21	
		Rev.	NRTF05-AS04	2/7

SAW Bandpass Filter F8688



Matching Schematic

(Actual matching values may vary due to PCB layout and parasitics)



$$L1 = L2 = 15\text{nH}, \quad C1 = C2 = 4.3\text{pF}$$

Marking Configuration

●¹⁾
I²⁾
8688³⁾

1) Pad Number 1 Index

2) Manufacturer name

3) Marking Number

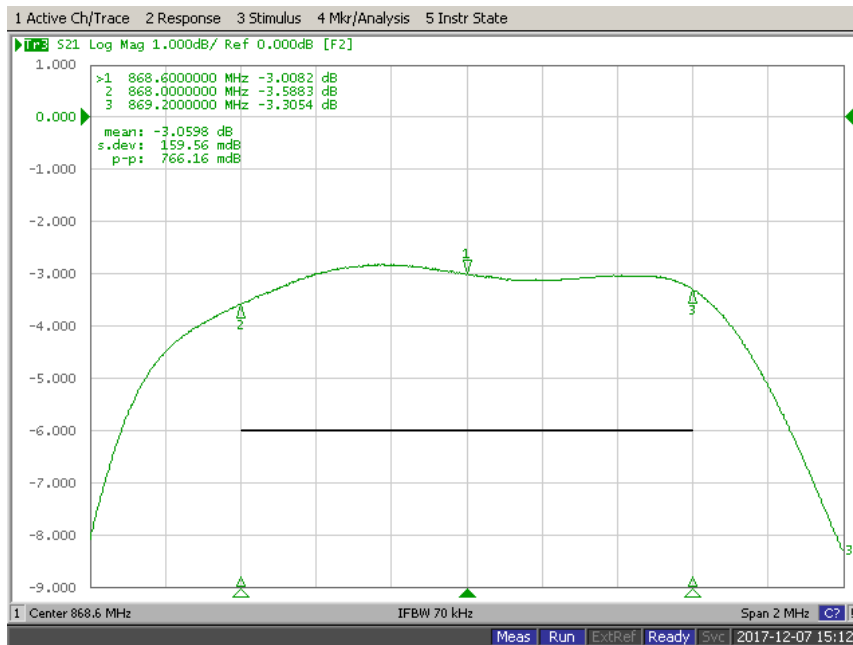
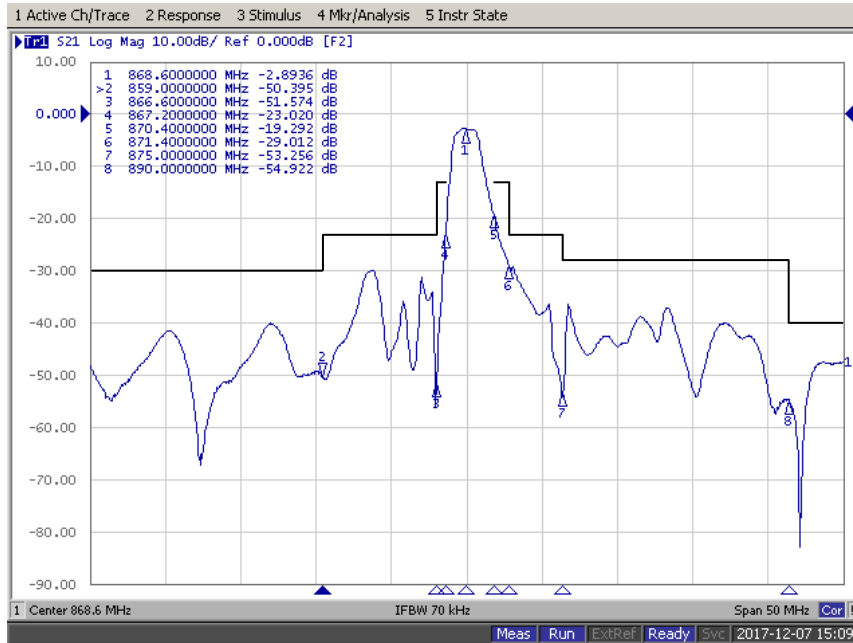
* Ink or Laser Marking available

	ITF Co., Ltd. 102-901, Bucheon Technopark 364, Samjeong-Dong, Ojeong-Gu, Bucheon-City, Gyeonggi-Do, Korea 421-809	Part No.	F8688	
		Rev. Date	2018-06-21	
		Rev.	NRTF05-AS04	3/7

SAW Bandpass Filter F8688



Typical Performance (at 25°C)



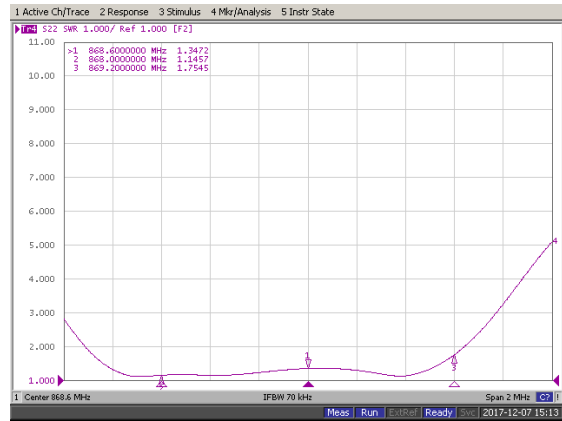
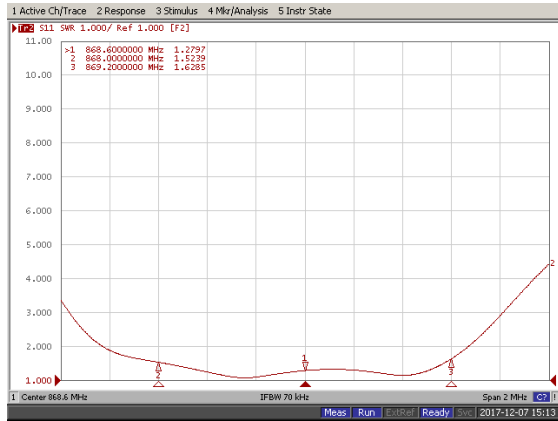
ITF Co., Ltd.
102-901, Bucheon Technopark 364,
Samjeong-Dong, Ojeong-Gu, Bucheon-City,
Gyeonggi-Do, Korea 421-809

Part No.	F8688	
Rev. Date	2018-06-21	
Rev.	NRTF05-AS04	4/7

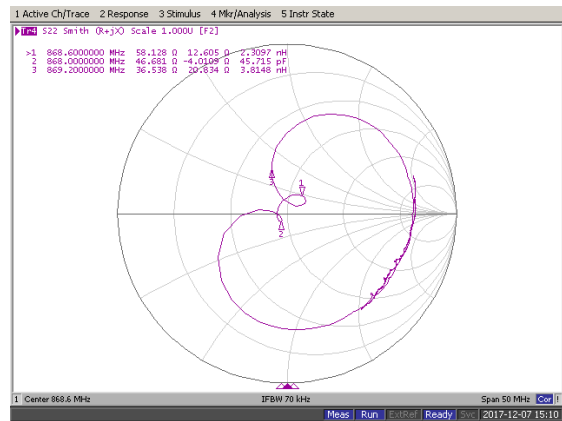
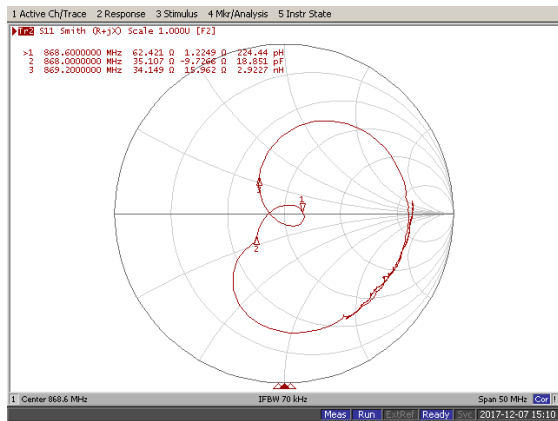
SAW Bandpass Filter F8688



Input / Output VSWR Charts



Input / Output Smith Charts



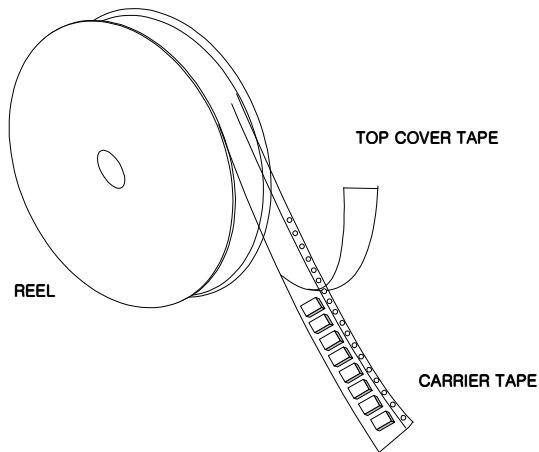
	ITF Co., Ltd. 102-901, Bucheon Technopark 364, Samjeong-Dong, Ojeong-Gu, Bucheon-City, Gyeonggi-Do, Korea 421-809	Part No.	F8688	
		Rev. Date	2018-06-21	
		Rev.	NRTF05-AS04	5/7

SAW Bandpass Filter F8688



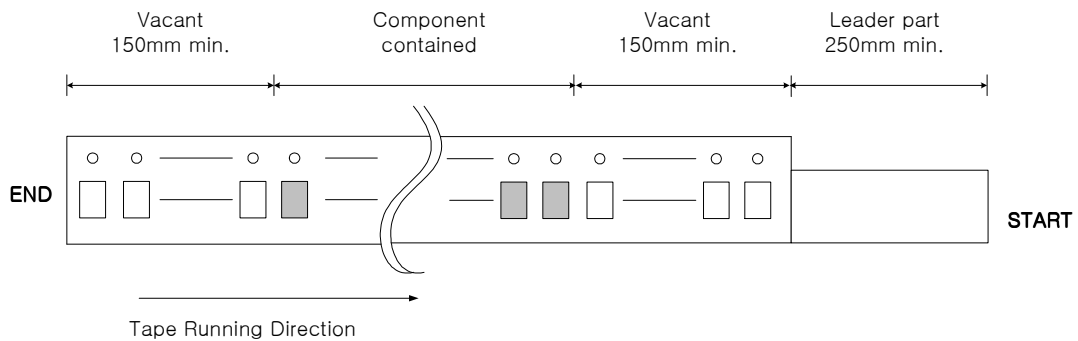
Packing Specification

1. Reeling Quantity : 1000 pcs / reel
2. Taping Structure : The tape shall be wound around the reel in the direction shown below.



Tape Specification

1. Leader part and vacant position specification

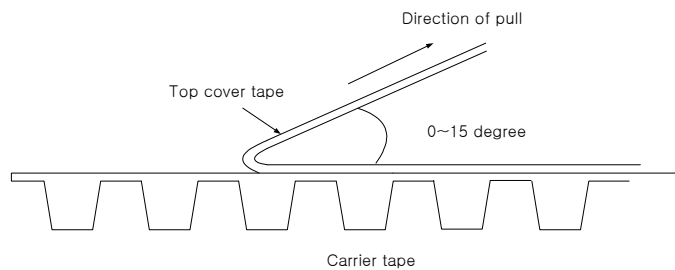



2. Tensile strength of carrier tape

4.4N/mm width

3. Top cover tape adhesion

- 1) pull off angle : 0~15°
- 2) speed : 300mm/min
- 3) force : 20~70g

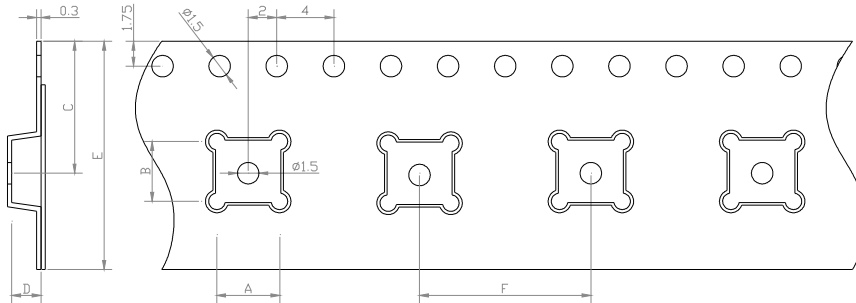


 Integrated Technology Future	ITF Co., Ltd. 102-901, Bucheon Technopark 364, Samjeong-Dong, Ojeong-Gu, Bucheon-City, Gyeonggi-Do, Korea 421-809	Part No.	F8688	
		Rev. Date	2018-06-21	
		Rev.	NRTF05-AS04	6/7

SAW Bandpass Filter F8688

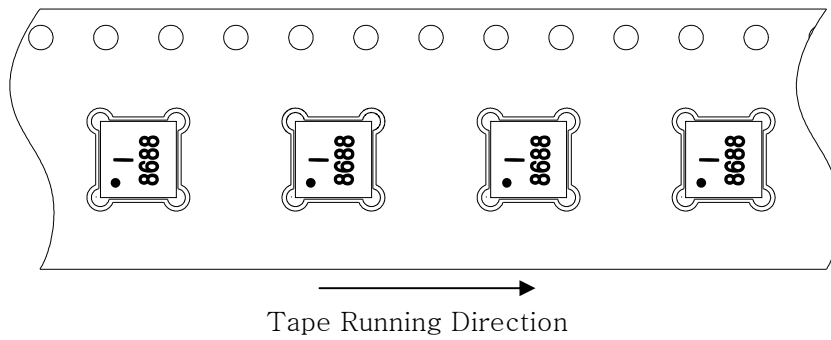


Carrier Tape Dimensions [unit : mm]

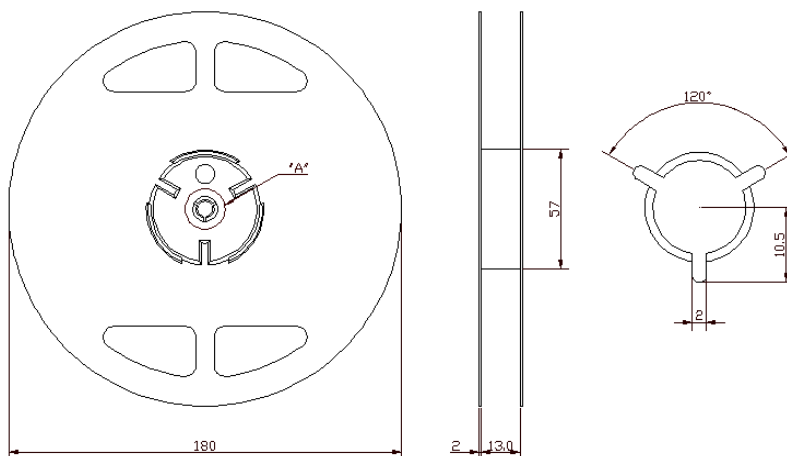


A	3.40 ± 0.1
B	3.40 ± 0.1
C	7.25 ± 0.1
D	1.70 ± 0.1
E	12.00 ± 0.1
F	8.00 ± 0.1

Part Direction



Reel Dimensions [unit : mm]



	ITF Co., Ltd. 102-901, Bucheon Technopark 364, Samjeong-Dong, Ojeong-Gu, Bucheon-City, Gyeonggi-Do, Korea 421-809	Part No.	F8688	
		Rev. Date	2018-06-21	
		Rev.	NRTF05-AS04	7/7