

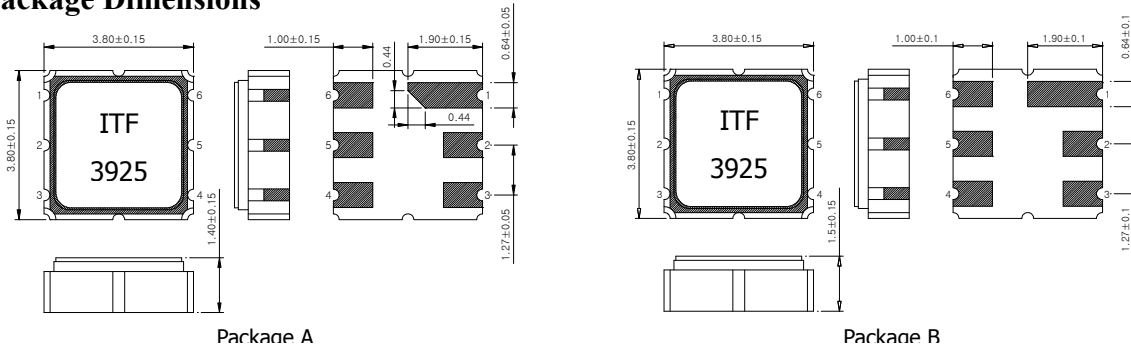
SAW Bandpass Filter F3925



Features

- RF bandpass filter
- Usable bandwidth 5MHz (390 MHz ~ 395 MHz)
- High attenuation
- No matching 50Ω single-ended operation
- Ceramic Surface Mounted Device Package (3.8 mm × 3.8 mm)
- RoHS compliant

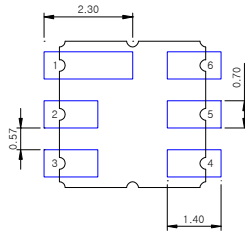
Package Dimensions



Dimensions shown are nominal in millimeters
 Body : Al₂O₃ Ceramic
 Lid : Kovar, Ni Plated
 Terminations : Au plating 0.3 ~ 1.0 um, Over a 1.27 ~ 8.89 um
 Ni Plating

| Pin Configuration | |
|-------------------|--------|
| 2 | Input |
| 5 | Output |
| 1, 3, 4, 6 | Ground |

Recommended footprint



Maximum Ratings

| Parameter | Unit | Minimum | Typical | Maximum |
|-----------------------------|------|---------|---------|---------|
| Operating Temperature Range | °C | -30 | 25 | 85 |
| Storage Temperature Range | °C | -40 | - | 85 |
| Power Handling Capability | dBm | - | - | 30 |

Electrostatics Sensitive Device (ESD)

| | | | | |
|--|---|-----------|-------------|-----|
| | ITF Co., Ltd. 102-901, Bucheon Technopark 364, Samjeong-Dong, Ojeong-Gu, Bucheon-City, Gyeonggi-Do, Korea 421-809 | Part No. | F3925 | |
| | | Rev. Date | 2018-09-04 | |
| | | Rev. | NR9004-AS02 | 1/7 |

SAW Bandpass Filter F3925




Specifications

$F_c = 392.5 \text{ MHz}$

| | | Minimum | Typical | Maximum |
|--|-----|---------|---------|---------|
| Center frequency (F_c) | MHz | - | 392.5 | - |
| Insertion Loss ($F_c \pm 2.5 \text{ MHz}$) | dB | - | 2.8 | 4.0 |
| Amplitude Ripple ($F_c \pm 2.5 \text{ MHz}$) | dB | - | 0.8 | 1.8 |
| VSWR ($F_c \pm 2.5 \text{ MHz}$) | | - | 1.5 | 2.0 |
| Absolute Attenuation | | | | |
| D.C. ~ 380.0 MHz | dB | 42 | 47 | - |
| 380.0 ~ 385.0 MHz | | 38 | 45 | - |
| 412.5 ~ 1200.0 MHz | | 28 | 33 | - |
| 1200.0 ~ 2000.0 MHz | | 20 | 25 | - |
| Input/Output impedance | Ohm | - | 50 | - |

Notes :

- 1) All specifications are based on the matching schematic shown below, measured by Agilent Network analyzer and full 2 port calibration.
- 2) Electrical margin has been built into the design to account for the variations due to temperature drift and manufacturing tolerances
- 3) All attenuation measurements are measured relative to insertion loss

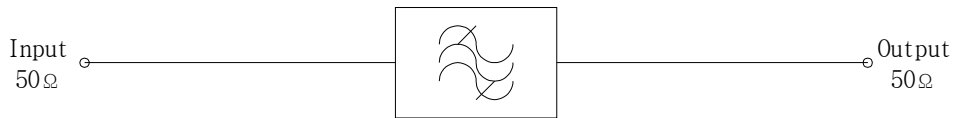
| | | | | |
|---|---|-----------|-------------|-----|
|  | ITF Co., Ltd. 102-901, Bucheon Technopark 364, Samjeong-Dong, Ojeong-Gu, Bucheon-City, Gyeonggi-Do, Korea 421-809 | Part No. | F3925 | |
| | | Rev. Date | 2018-09-04 | |
| | | Rev. | NR9004-AS02 | 2/7 |

SAW Bandpass Filter F3925



Matching Schematic

(Actual matching values may vary due to PCB layout and parasitics)



Marking Configuration


ITF ¹⁾

3925 ²⁾

1) Manufacturer name

2) Marking Number

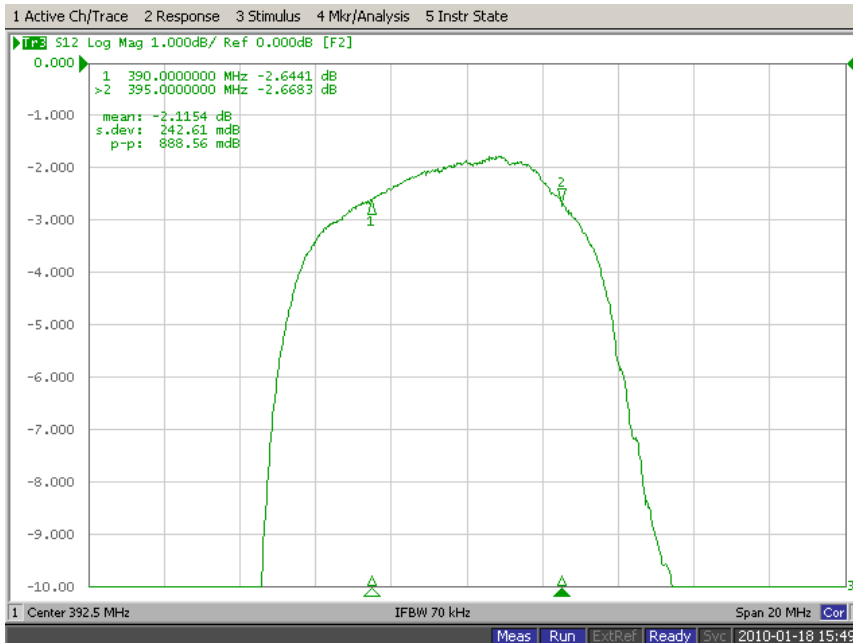
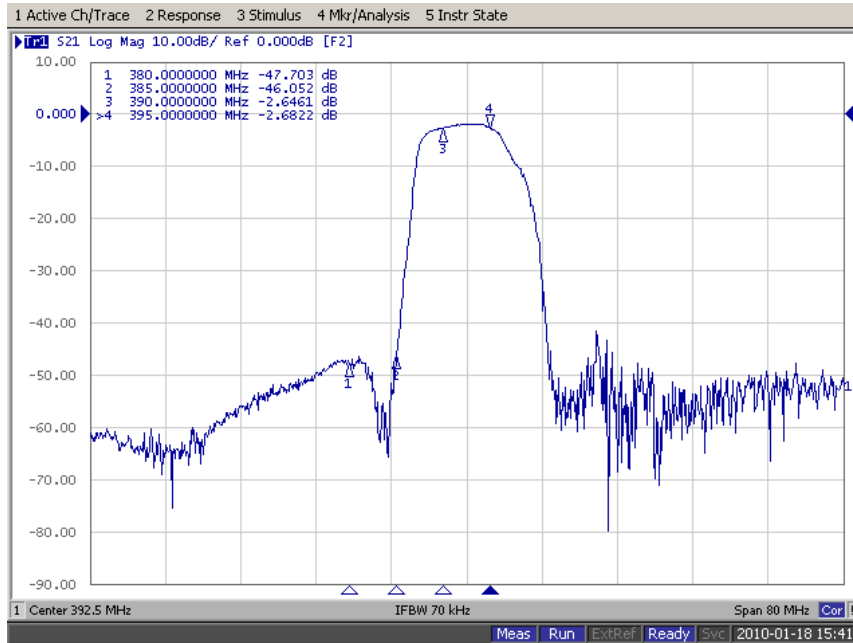
* Ink or Laser Marking available

| | | | | |
|---|---|-----------|-------------|-----|
|  Integrated Technology Future | ITF Co., Ltd. 102-901, Bucheon Technopark 364, Samjeong-Dong, Ojeong-Gu, Bucheon-City, Gyeonggi-Do, Korea 421-809 | Part No. | F3925 | |
| | | Rev. Date | 2018-09-04 | |
| | | Rev. | NR9004-AS02 | 3/7 |

SAW Bandpass Filter F3925



Typical Performance (at 25°C)



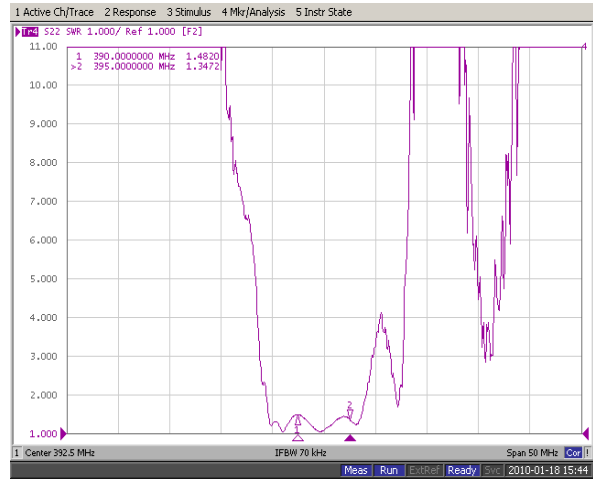
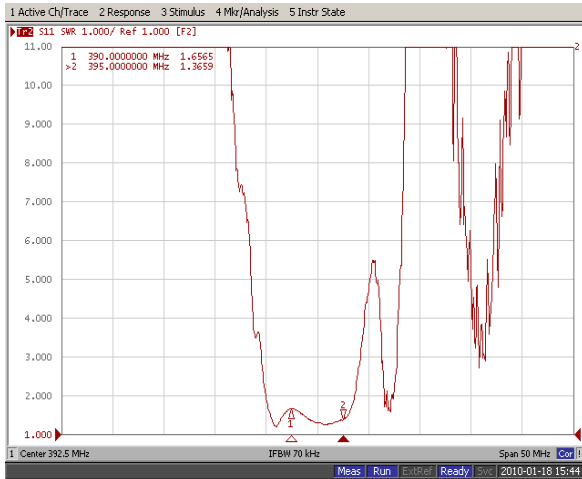
ITF Co., Ltd.
102-901, Bucheon Technopark 364,
Samjeong-Dong, Ojeong-Gu, Bucheon-City,
Gyeonggi-Do, Korea 421-809

| | | |
|-----------|-------------|-----|
| Part No. | F3925 | |
| Rev. Date | 2018-09-04 | |
| Rev. | NR9004-AS02 | 4/7 |

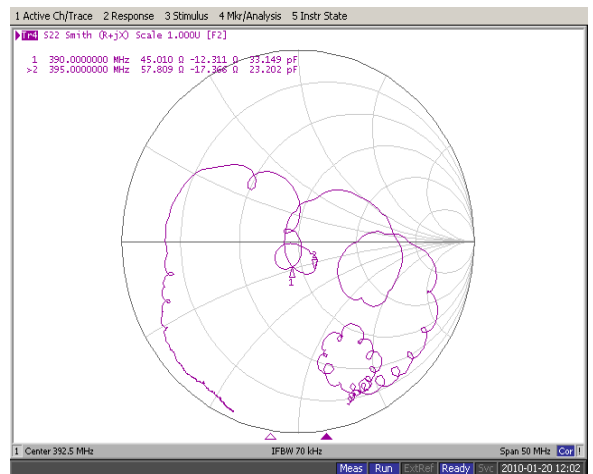
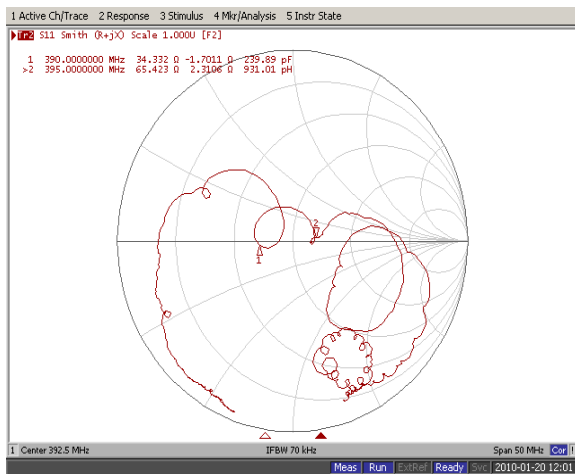
SAW Bandpass Filter F3925



Input / Output VSWR Charts



Input / Output Smith Charts



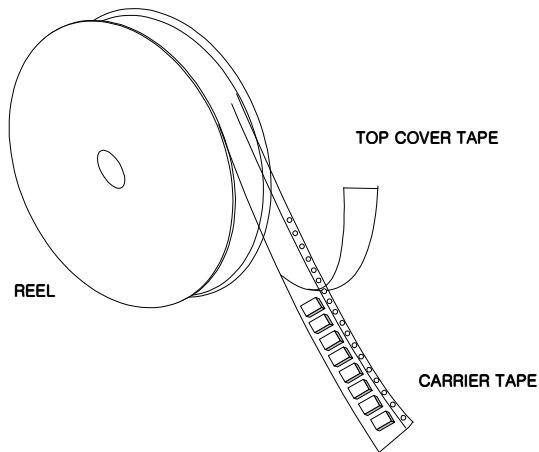
| | | | | |
|--|---|-----------|-------------|-----|
| | ITF Co., Ltd. 102-901, Bucheon Technopark 364, Samjeong-Dong, Ojeong-Gu, Bucheon-City, Gyeonggi-Do, Korea 421-809 | Part No. | F3925 | |
| | | Rev. Date | 2018-09-04 | |
| | | Rev. | NR9004-AS02 | 5/7 |

SAW Bandpass Filter F3925



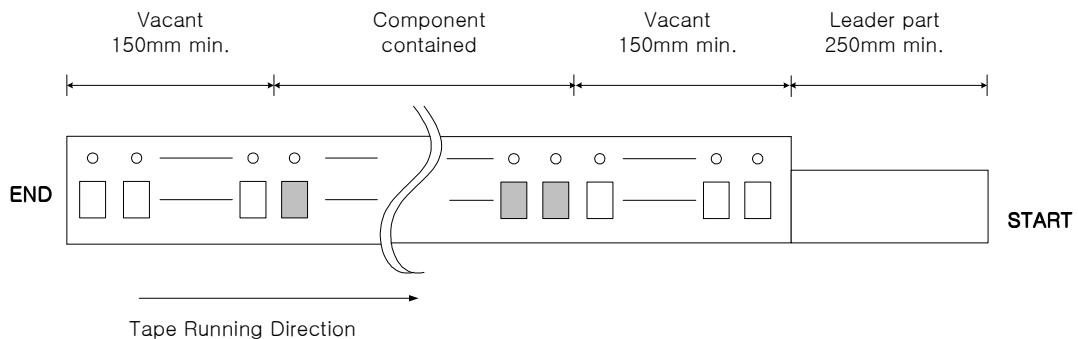
Packing Specification

1. Reeling Quantity : 3000 pcs / 13" reel (or 1000 pcs / 7" reel)
2. Taping Structure : The tape shall be wound around the reel in the direction shown below.



Tape Specification

1. Leader part and vacant position specification

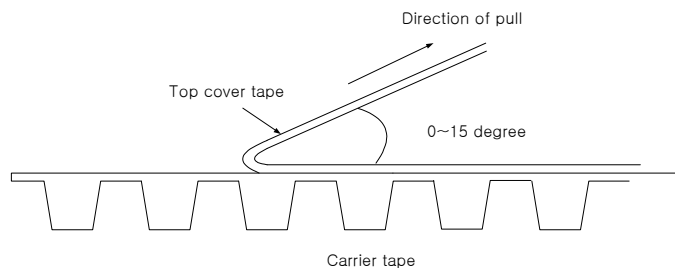


2. Tensile strength of carrier tape

4.4N/mm width

3. Top cover tape adhesion

- 1) pull off angle : 0~15°
- 2) speed : 300mm/min
- 3) force : 20~70g

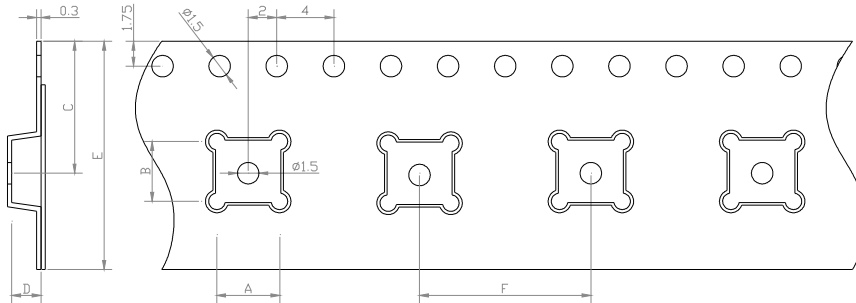


| | | | | |
|--|---|-----------|-------------|-----|
| | ITF Co., Ltd. 102-901, Bucheon Technopark 364, Samjeong-Dong, Ojeong-Gu, Bucheon-City, Gyeonggi-Do, Korea 421-809 | Part No. | F3925 | |
| | | Rev. Date | 2018-09-04 | |
| | | Rev. | NR9004-AS02 | 6/7 |

SAW Bandpass Filter F3925

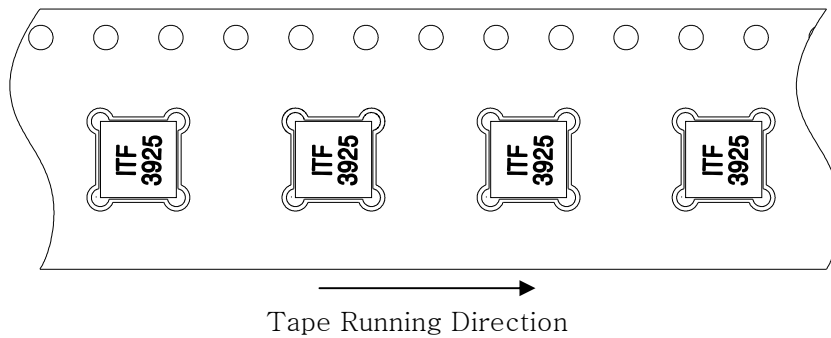


Carrier Tape Dimensions [unit : mm]

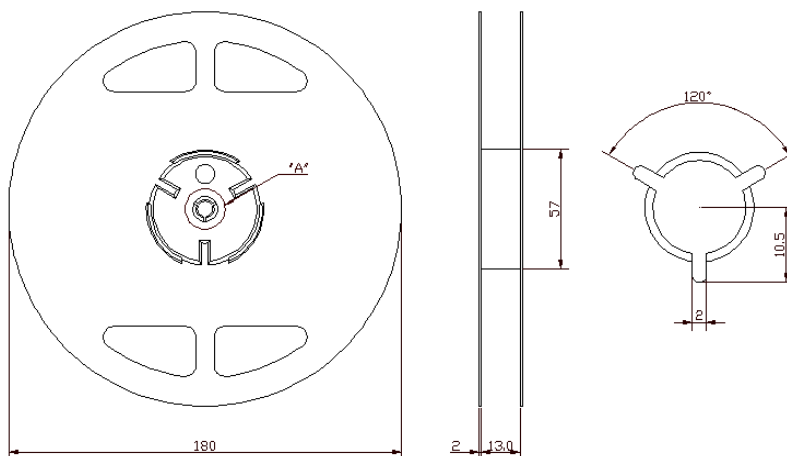


| | |
|---|-------------|
| A | 4.30 ± 0.1 |
| B | 4.30 ± 0.1 |
| C | 7.25 ± 0.1 |
| D | 1.70 ± 0.1 |
| E | 12.00 ± 0.1 |
| F | 8.00 ± 0.1 |

Part Direction



Reel Dimensions [unit : mm]



| | | | | |
|--|---|-----------|-------------|-----|
| | ITF Co., Ltd. 102-901, Bucheon Technopark 364, Samjeong-Dong, Ojeong-Gu, Bucheon-City, Gyeonggi-Do, Korea 421-809 | Part No. | F3925 | |
| | | Rev. Date | 2018-09-04 | |
| | | Rev. | NR9004-AS02 | 7/7 |