

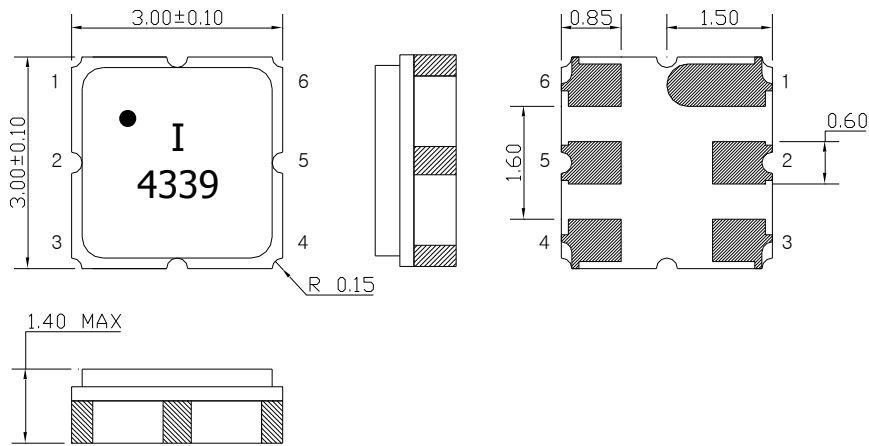
SAW Bandpass Filter F4339



Features

- RF bandpass filter
- High attenuation
- No matching single-ended operation
- Ceramic Surface Mounted Device Package (3.0 mm × 3.0 mm)
- RoHS/RoHS2 (2015/863/EU) Compliant

Package Dimension



Dimensions shown are nominal in millimeters

Body : Al₂O₃ Ceramic

Lid : Kovar, Ni Plated

Terminations : Au plating 0.3 ~ 1.0 um, Over a 1.27 ~ 8.89 um
Ni Plating

Pin Configurations	
2	Input
5	Output
1, 3, 4, 6	Case ground

Maximum Ratings

Parameters	Unit	Minimum	Typical	Maximum
Operating Temperature Range	℃	-40	25	105
Storage Temperature Range	℃	-45	-	125
Power Handling Capability	dBm	-	-	0

Electrostatics Sensitive Device (ESD)

Specifications

	ITF Co., Ltd. 102-901, Bucheon Technopark 364, Samjeong-Dong, Ojeong-Gu, Bucheon-City, Gyeonggi-Do, Korea 421-809	Part No.	F4339	
		Rev. Date	2020-07-23	
		Rev.	NCVG02-AS01	1/7

SAW Bandpass Filter F4339




Fo = 433.92 MHz

Room Temperature : +25 °C		Minimum	Typical	Maximum
Center Frequency (Fc)	MHz	-	433.92	-
Insertion Loss (433.00 ~ 434.71 MHz)	dB	-	2.0	2.7
Amplitude Ripple (433.00 ~ 434.71 MHz)	dB	-	0.5	1.3
Relative Attenuation				
10.00 ~ 380.00 MHz		55	60	-
380.00 ~ 413.50 MHz		49	53	-
413.50 ~ 424.00 MHz		40	48	-
443.75 ~ 454.00 MHz	dB	25	33	-
454.00 ~ 470.00 MHz		35	44	-
470.00 ~ 650.00 MHz		48	55	-
650.00 ~ 1000.00 MHz		40	50	-
Input/Output Impedance	Ohm	-	50	-

Notes :

- 1) All specifications are based on the matching schematic shown below
- 2) All specifications are measured by Agilent Network analyzer and full 2 port calibration at room temperature
- 3) All attenuation measurements are measured relative to insertion loss

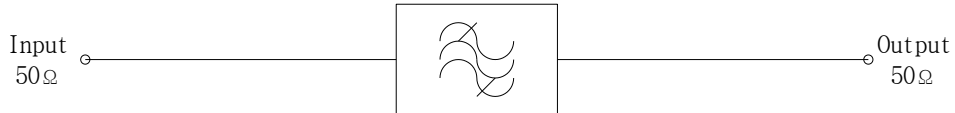
	ITF Co., Ltd. 102-901, Bucheon Technopark 364, Samjeong-Dong, Ojeong-Gu, Bucheon-City, Gyeonggi-Do, Korea 421-809	Part No.	F4339	
		Rev. Date	2020-07-23	
		Rev.	NCVG02-AS01	2/7

SAW Bandpass Filter F4339



Matching Schematic

(Actual matching values may vary due to PCB layout and parasitics)




Marking Configuration



I
4339

- 1) Pad Number 1 Index
- 2) Manufacturer name
- 3) Marking Number

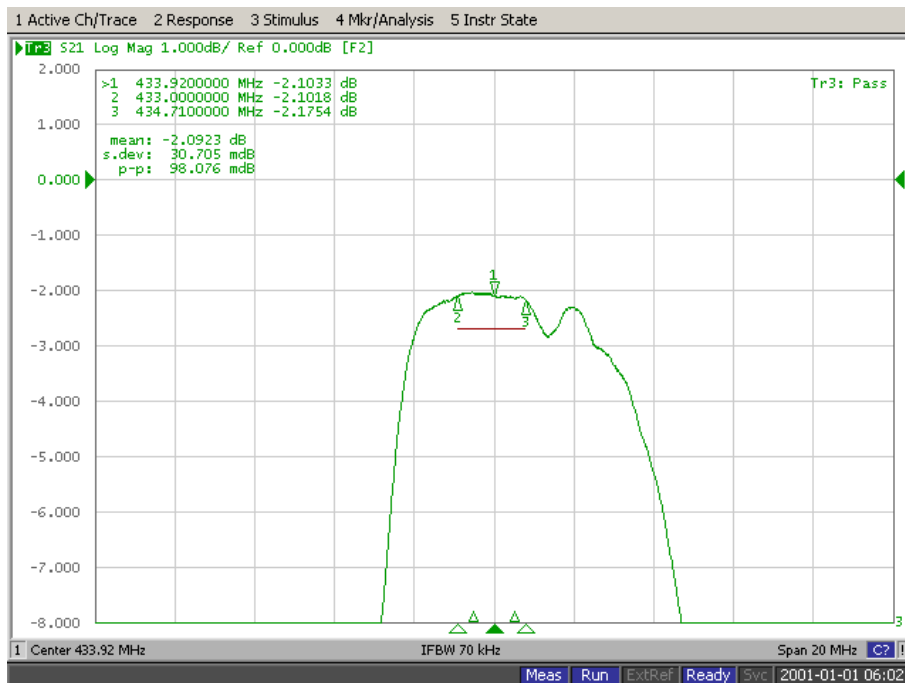
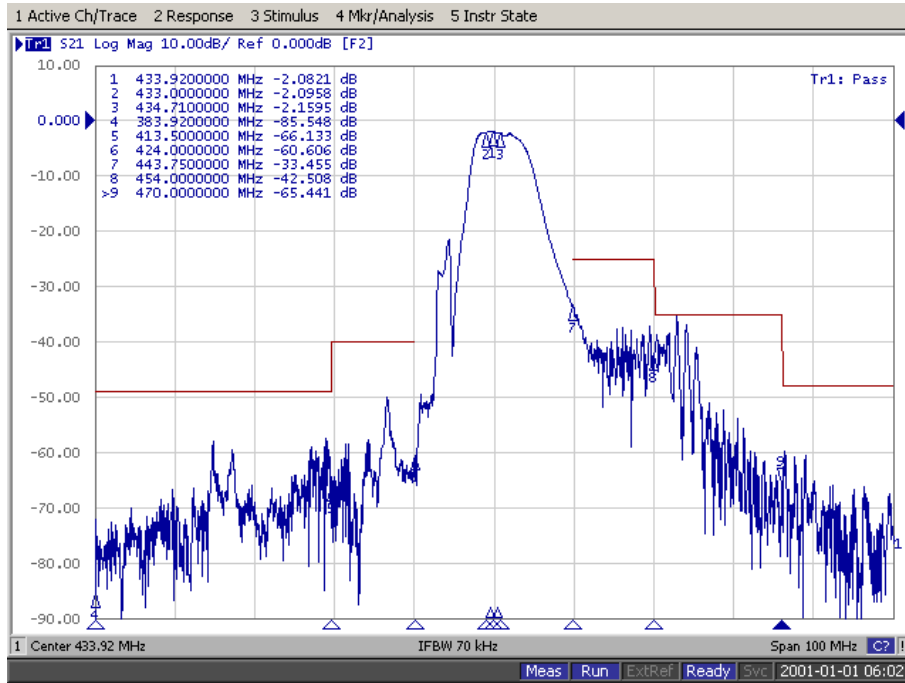
* Ink or Laser Marking available


 Integrated Technology Future	ITF Co., Ltd. 102-901, Bucheon Technopark 364, Samjeong-Dong, Ojeong-Gu, Bucheon-City, Gyeonggi-Do, Korea 421-809	Part No.	F4339	
		Rev. Date	2020-07-23	
		Rev.	NCVG02-AS01	3/7

SAW Bandpass Filter F4339



Typical Performance (at +25°C)

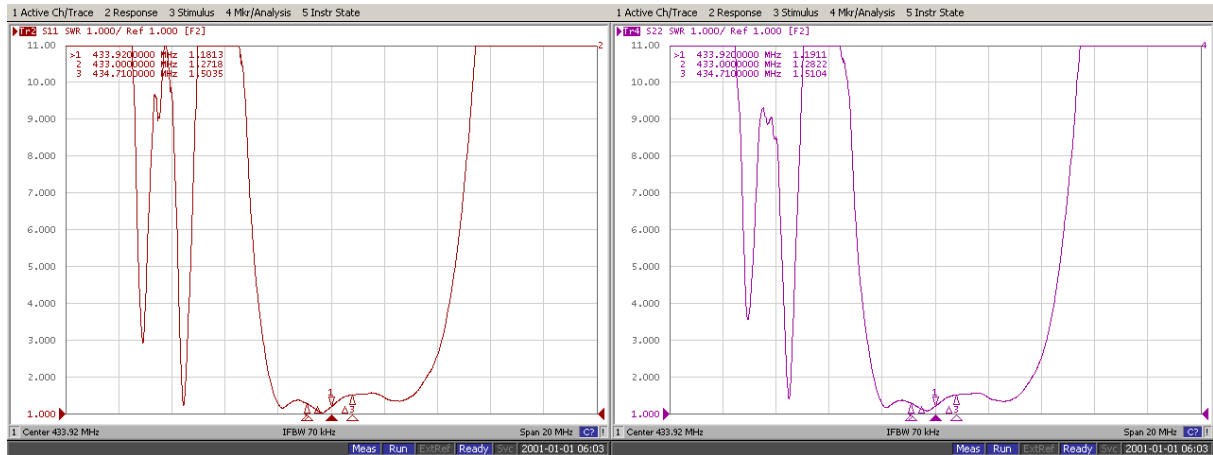


	ITF Co., Ltd. 102-901, Bucheon Technopark 364, Samjeong-Dong, Ojeong-Gu, Bucheon-City, Gyeonggi-Do, Korea 421-809	Part No.	F4339	
		Rev. Date	2020-07-23	
		Rev.	NCVG02-AS01	4/7

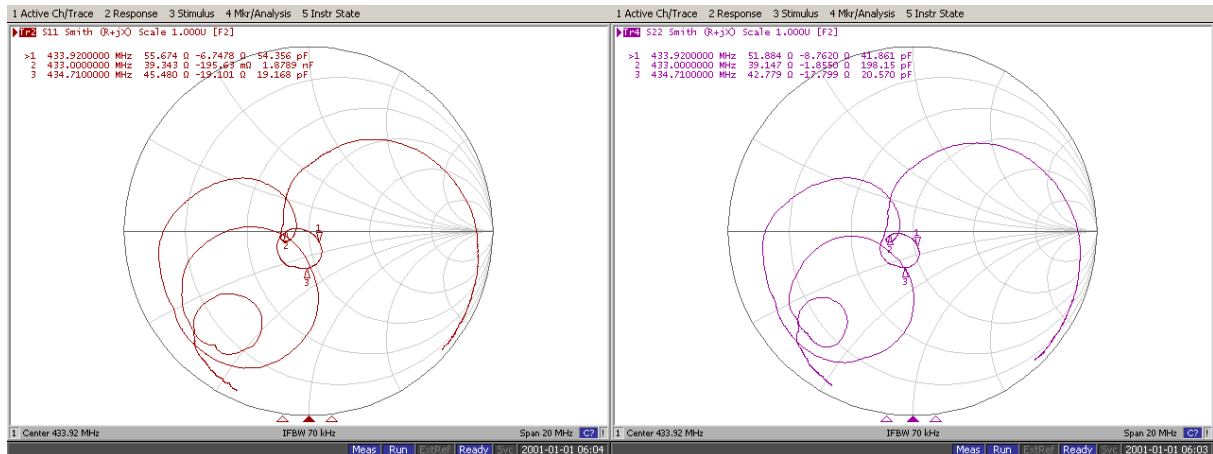
SAW Bandpass Filter F4339




Input / Output VSWR Charts



Input / Output Smith Charts



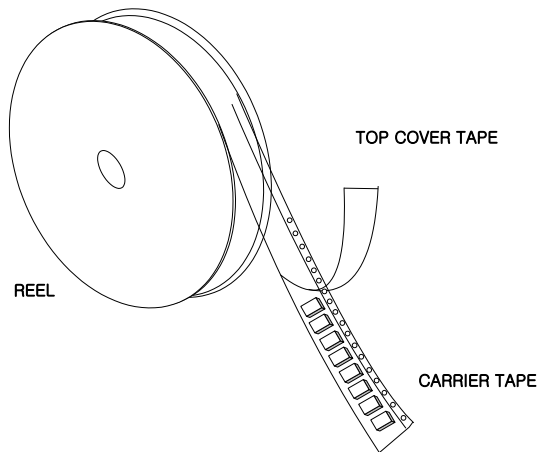
	ITF Co., Ltd. 102-901, Bucheon Technopark 364, Samjeong-Dong, Ojeong-Gu, Bucheon-City, Gyeonggi-Do, Korea 421-809	Part No.	F4339	
		Rev. Date	2020-07-23	
		Rev.	NCVG02-AS01	5/7

SAW Bandpass Filter F4339



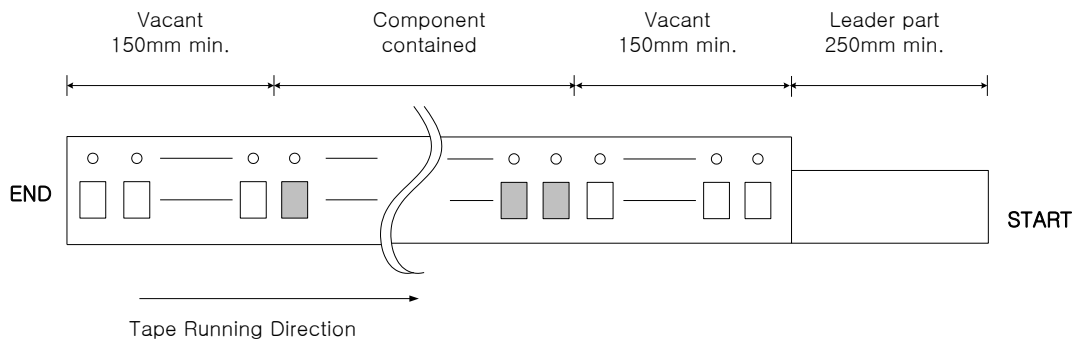
Packing Specification

1. Reeling Quantity : 3000 pcs / 13" reel (or 1000 pcs / 7" reel)
2. Taping Structure : The tape shall be wound around the reel in the direction shown below.



Tape Specification

1. Leader part and vacant position specification

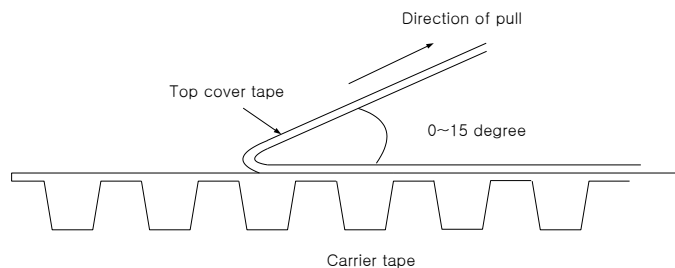


2. Tensile strength of carrier tape

4.4N/mm width

3. Top cover tape adhesion

- 1) pull off angle : 0~15°
- 2) speed : 300mm/min
- 3) force : 20~70g

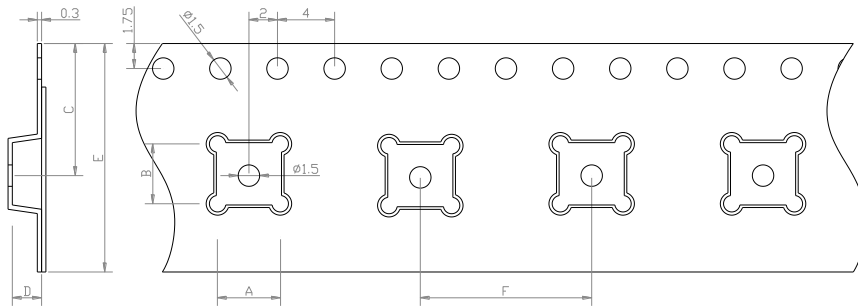


	ITF Co., Ltd. 102-901, Bucheon Technopark 364, Samjeong-Dong, Ojeong-Gu, Bucheon-City, Gyeonggi-Do, Korea 421-809	Part No.	F4339	
		Rev. Date	2020-07-23	
		Rev.	NCVG02-AS01	6/7

SAW Bandpass Filter F4339

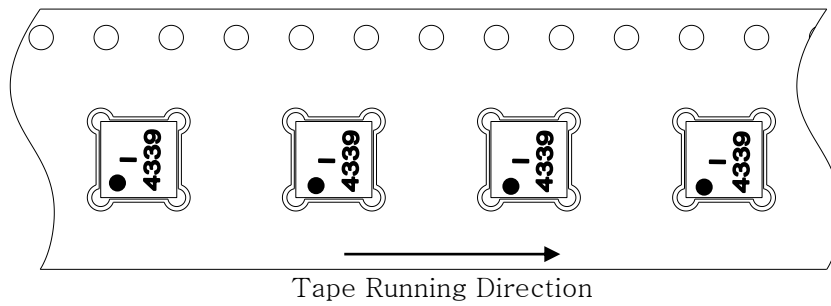


Carrier Tape Dimensions [unit : mm]

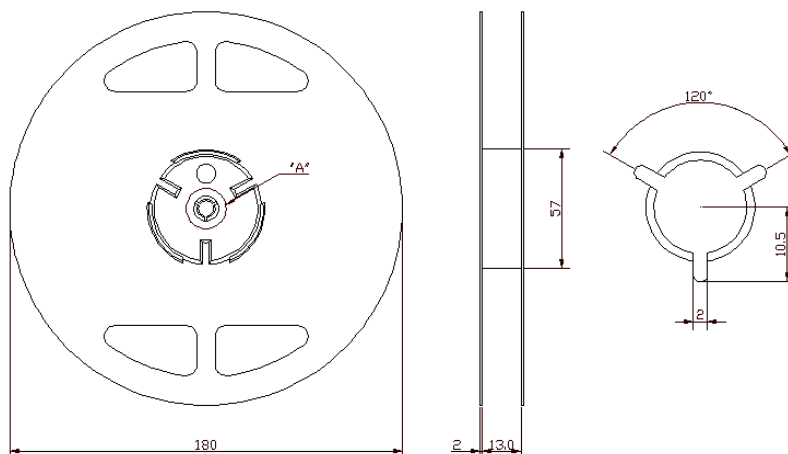



A	3.40 ± 0.1
B	3.40 ± 0.1
C	7.25 ± 0.1
D	1.70 ± 0.1
E	12.00 ± 0.1
F	8.00 ± 0.1

Part Direction



Reel Dimensions [unit : mm]



	ITF Co., Ltd. 102-901, Bucheon Technopark 364, Samjeong-Dong, Ojeong-Gu, Bucheon-City, Gyeonggi-Do, Korea 421-809	Part No.	F4339	
		Rev. Date	2020-07-23	
		Rev.	NCVG02-AS01	7/7