

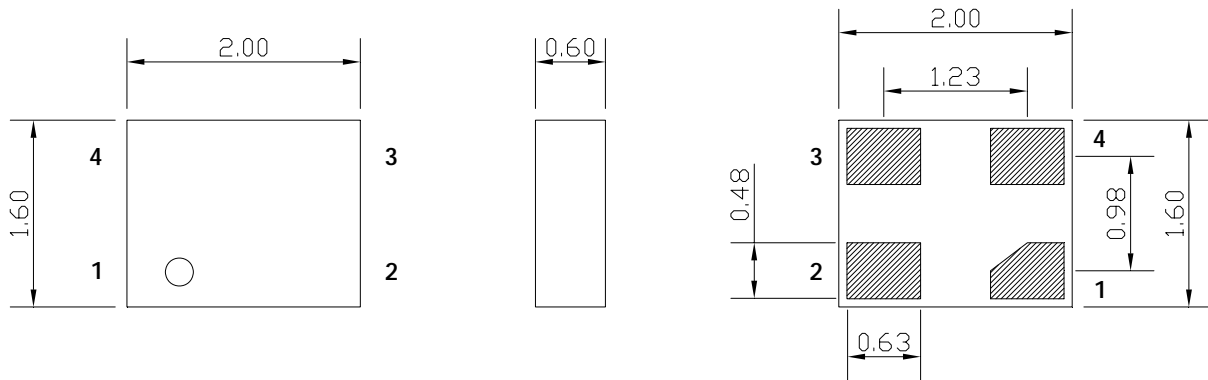
SAW Bandpass Filter F1G95



Features

- US-PCS applications
- Usable bandwidth of 30 MHz
- No impedance matching require for operation at 50 Ω
- SMD Package 2.0 mm × 1.6 mm× 0.7 mm
- Single-ended Operation
- RoHS Compliant

Package Dimensions



Pin Configurations	
1	Input
2	Case Ground
3	Output
4	Case Ground

Maximum Ratings

Parameters	Unit	Minimum	Typical	Maximum
Operating Temperature Range	℃	-30	25	85
Storage Temperature Range	℃	-30	-	85
Power Handling Capability	dBm	-	-	13

Electrostatics Sensitive Device (ESD)

	ITF Co., Ltd. 102-901, Bucheon Technopark 364, Samjeong-Dong, Ojeong-Gu, Bucheon-City, Gyeonggi-Do, Korea 421-809	Part No.	F1G95	
		Rev. Date	2007-08-30	
		Rev.	NC7006-AS01	1/7

SAW Bandpass Filter F1G95




Specifications

	Minimum	Typical	Maximum	Unit
Center Frequency (Fc)	-	1960	-	MHz
Insertion Loss (Fo +/- 30 MHz)	-	2.3	2.7	dB
Amplitude Ripple (Fo +/- 30 MHz)	-	0.6	1.7	dBp-p
VSWR (Fo +/- 30 MHz)	-	2.0	2.4	
Relative Attenuation				
D.C. ~ 1850 MHz	26.0	34.0	-	dB
1850 ~ 1910 MHz	15.0	21.0	-	
2010 ~ 2070 MHz	15.0	21.0	-	
3860 ~ 3980 MHz	28.0	37.0	-	
5790 ~ 5970 MHz	33.0	33.0	-	
Temperature Range (Operational)	-30	25	85	°C
Input RF Power (Fo +/- 30 MHz)			13	dBm
Input/Output Impedance		50		Ohms

Notes :

- 1) All specifications are based on the matching schematic shown below, measured by Agilent Network analyzer and full 2 port calibration.
- 2) Electrical margin has been built into the design to account for the variations due to temperature drift and manufacturing tolerances
- 3) All attenuation measurements are measured relative to insertion loss

	ITF Co., Ltd. 102-901, Bucheon Technopark 364, Samjeong-Dong, Ojeong-Gu, Bucheon-City, Gyeonggi-Do, Korea 421-809	Part No.	F1G95	
		Rev. Date	2007-08-30	
		Rev.	NC7006-AS01	2/7

SAW Bandpass Filter F1G95



Matching Schematic

(Actual matching values may vary due to PCB layout and parasitics)



Marking Configuration

- 1) AN ²⁾ A1 ³⁾


1) Index Mark

2) Part Number Mark (ITF Standard Rule)

3) Lot Number (ITF Standard Rule)

* Ink or Laser Marking available

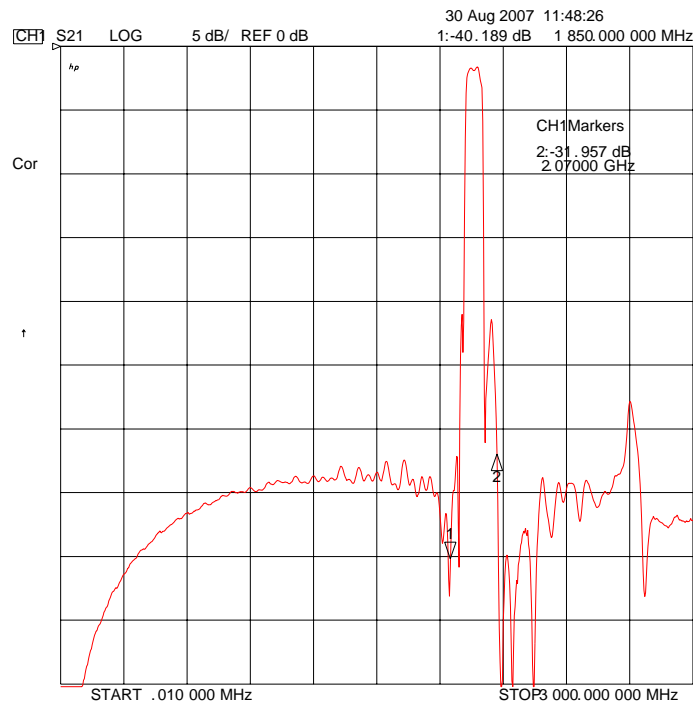
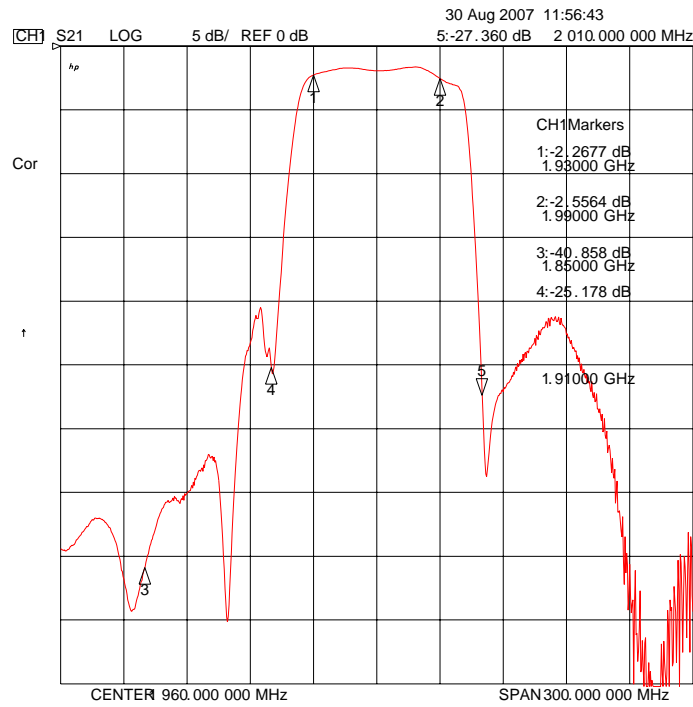
* Marking configuration depends on ITF standard rules.


 Integrated Technology Future	ITF Co., Ltd. 102-901, Bucheon Technopark 364, Samjeong-Dong, Ojeong-Gu, Bucheon-City, Gyeonggi-Do, Korea 421-809	Part No.	F1G95	
		Rev. Date	2007-08-30	
		Rev.	NC7006-AS01	3/7

SAW Bandpass Filter F1G95



Typical Performance (at 25 °C)

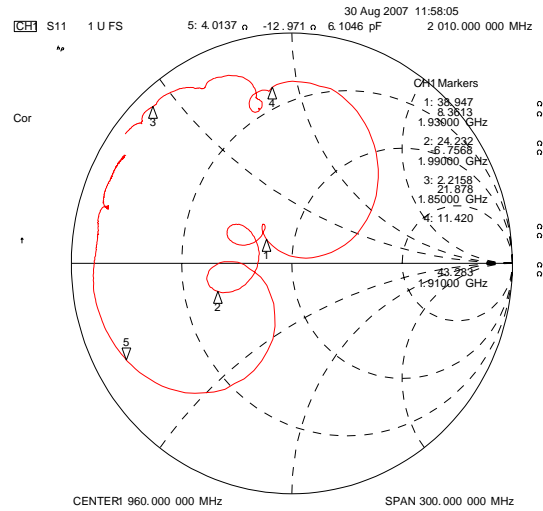
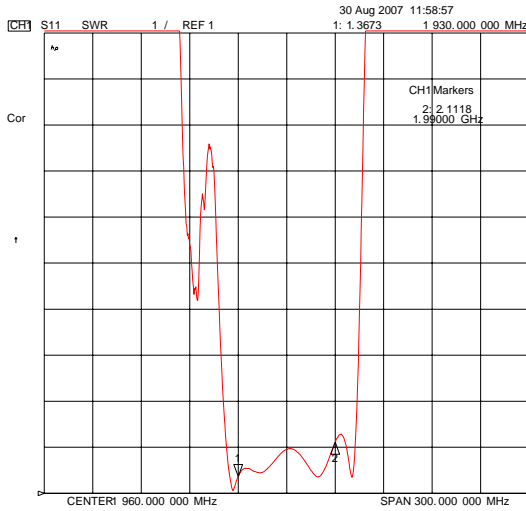


	ITF Co., Ltd. 102-901, Bucheon Technopark 364, Samjeong-Dong, Ojeong-Gu, Bucheon-City, Gyeonggi-Do, Korea 421-809	Part No.	F1G95	
		Rev. Date	2007-08-30	
		Rev.	NC7006-AS01	4/7

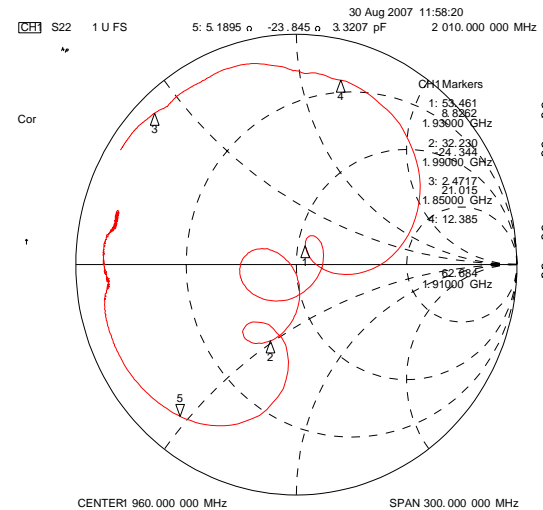
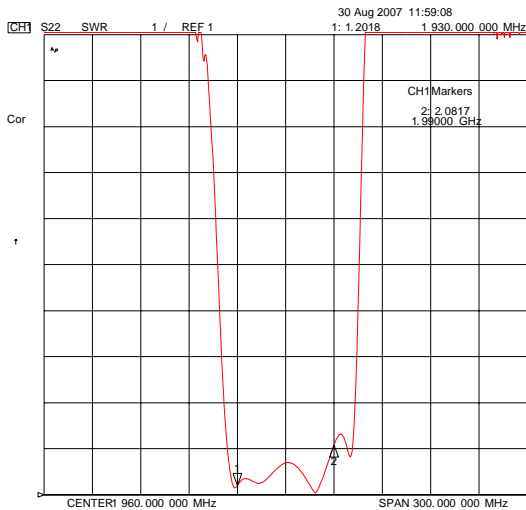
SAW Bandpass Filter F1G95



Input / Output VSWR Charts



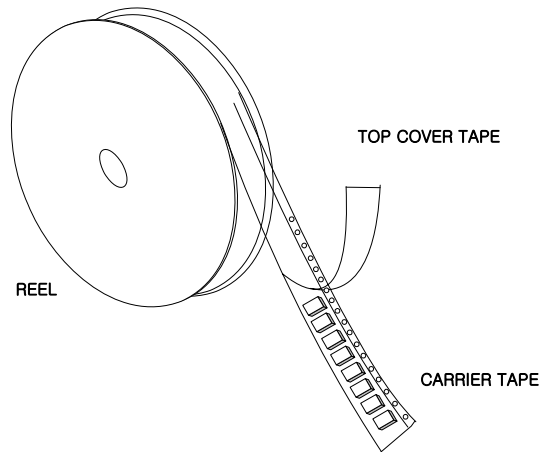
Input / Output Smith Charts



	ITF Co., Ltd. 102-901, Bucheon Technopark 364, Samjeong-Dong, Ojeong-Gu, Bucheon-City, Gyeonggi-Do, Korea 421-809	Part No.	F1G95	
		Rev. Date	2007-08-30	
		Rev.	NC7006-AS01	5/7

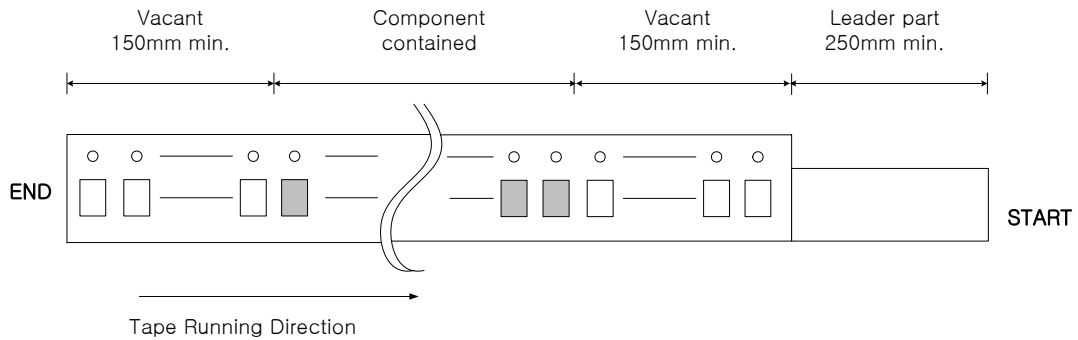
Packing Specification

1. Reeling Quantity : 3000 pcs / 13" reel (or 1000 pcs / 7" reel)
2. Taping Structure : The tape shall be wound around the reel in the direction shown below.



Tape Specification

1. Leader part and vacant position specification

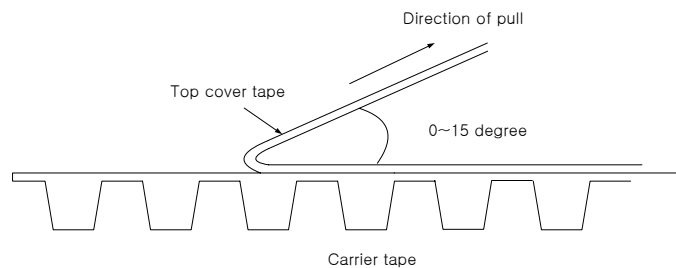


2. Tensile strength of carrier tape

4.4N/mm width

3. Top cover tape adhesion

- 1) pull off angle : 0~15°
- 2) speed : 300mm/min
- 3) force : 20~70g

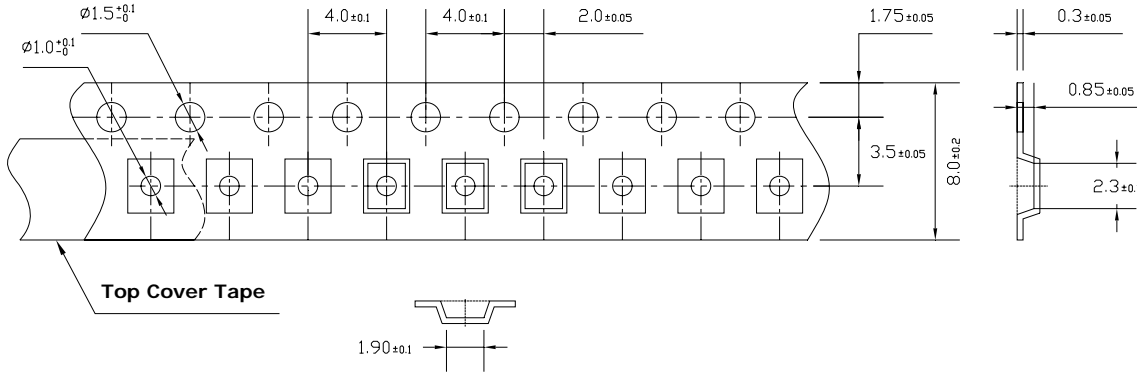


	ITF Co., Ltd. 102-901, Bucheon Technopark 364, Samjeong-Dong, Ojeong-Gu, Bucheon-City, Gyeonggi-Do, Korea 421-809	Part No.	F1G95	
		Rev. Date	2007-08-30	
		Rev.	NC7006-AS01	6/7

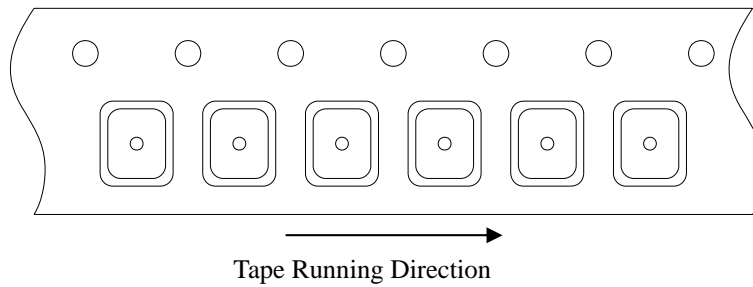
SAW Bandpass Filter F1G95



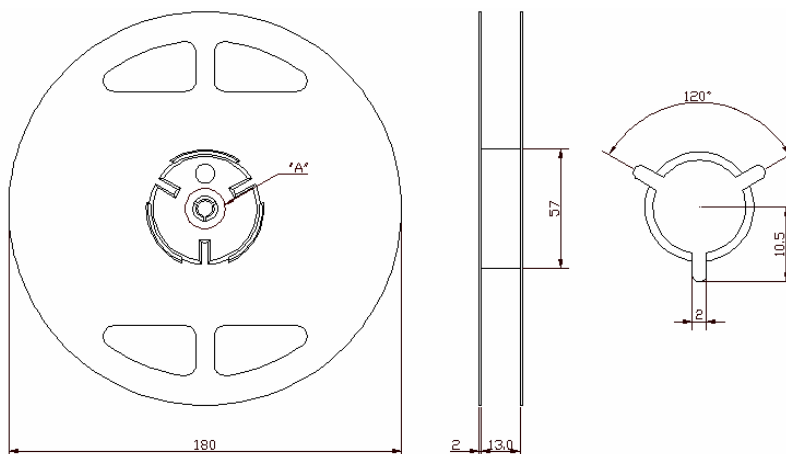
Carrier Tape Dimensions [unit : mm]



Part Direction



Reel Dimensions [unit : mm]



	ITF Co., Ltd. 102-901, Bucheon Technopark 364, Samjeong-Dong, Ojeong-Gu, Bucheon-City, Gyeonggi-Do, Korea 421-809	Part No.	F1G95	
		Rev. Date	2007-08-30	
		Rev.	NC7006-AS01	7/7