

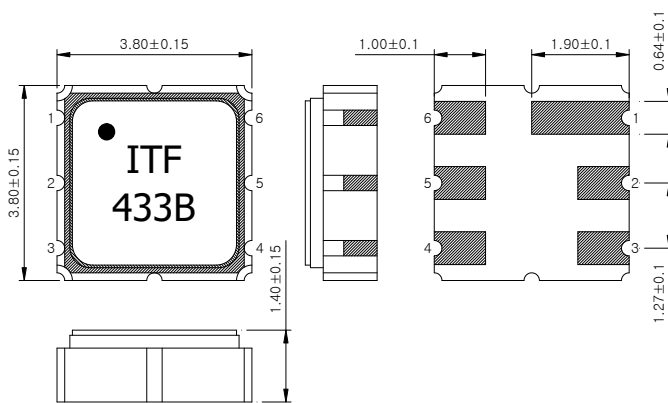
# SAW Bandpass Filter F433B



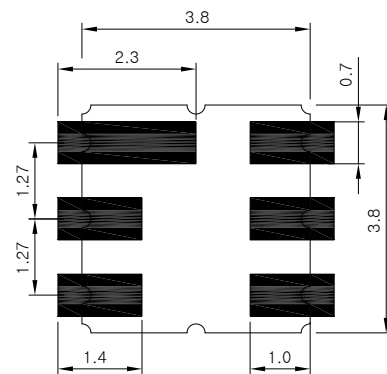
## Features

- RF bandpass filter
- Usable bandwidth 1.0 MHz
- Ceramic Surface Mounted Device (SMD) Package (3.8mm × 3.8mm)
- RoHS/RoHS2(2015/863/EU) Compliant

## Package Dimensions



## Recommended Footprint



Dimensions shown are nominal in millimeters

Body : Al<sub>2</sub>O<sub>3</sub> Ceramic

Lid : Kovar, Ni Plated

Terminations : Au plating 0.3 ~ 1.0 um, Over a 1.27 ~ 8.89 um Ni Plating

### Pin Configuration

2	Input or Output
5	Output or Input
1, 3, 4, 6	Ground

## Maximum Ratings

Parameter	Unit	Minimum	Typical	Maximum
Operating Temperature Range	°C	-40	25	85
Storage Temperature Range	°C	-40	-	90
Maximum Input Power	dBm	-	-	20
Maximum DC Voltage	V	-	-	7.5

Electrostatics Sensitive Device (ESD)

	<b>ITF Co., Ltd.</b> 102-901, 22, Samjak-ro, Ojeong-gu, Bucheon-si, Gyeonggi-do, Korea, 14501	Part No.	F433B	
		Rev. Date	2021-06-23	
		Rev.	NRUi02-AS03	1/9

# SAW Bandpass Filter F433B




## Specifications

Fc = 433.92 MHz

		Minimum	Typical	Maximum
Center Frequency ( Fc )	MHz	-	433.92	-
Insertion Loss ( 433.42 ~ 434.42 MHz )	dB	-	1.9	2.5
Amplitude Ripple ( 433.42 ~ 434.42 MHz )	dB	-	0.4	1.0
VSWR ( 433.42 ~ 434.42 MHz )		-	1.3	2.5
Absolute Attenuation				
412.52 MHz	dB	50	61	-
455.32 MHz		45	58	-
Input/Output impedance	Ohm	-	50	-

### Notes :

- 1) All specifications are based on the matching schematic shown below, measured by Agilent Network analyzer and full 2 port calibration.
- 2) Electrical margin has been built into the design to account for the variations due to temperature drift and manufacturing tolerances

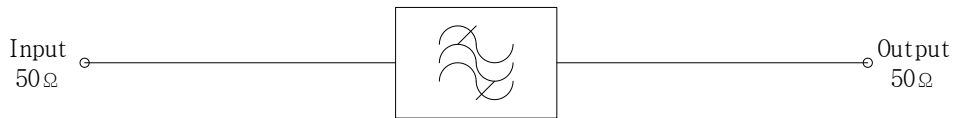
 Integrated Technology Future	<b>ITF Co., Ltd.</b> 102-901, 22, Samjak-ro, Ojeong-gu, Bucheon-si, Gyeonggi-do, Korea, 14501	Part No.	F433B	
		Rev. Date	2021-06-23	
		Rev.	NRUi02-AS03	2/9

# SAW Bandpass Filter F433B



## Matching Schematic

( Actual matching values may vary due to PCB layout and parasitics )



## Marking Configuration

- <sup>1)</sup>  
ITF <sup>2)</sup>  
433B <sup>3)</sup>

1) Pad Number 1 Index

2) Manufacturer name

3) Marking Number

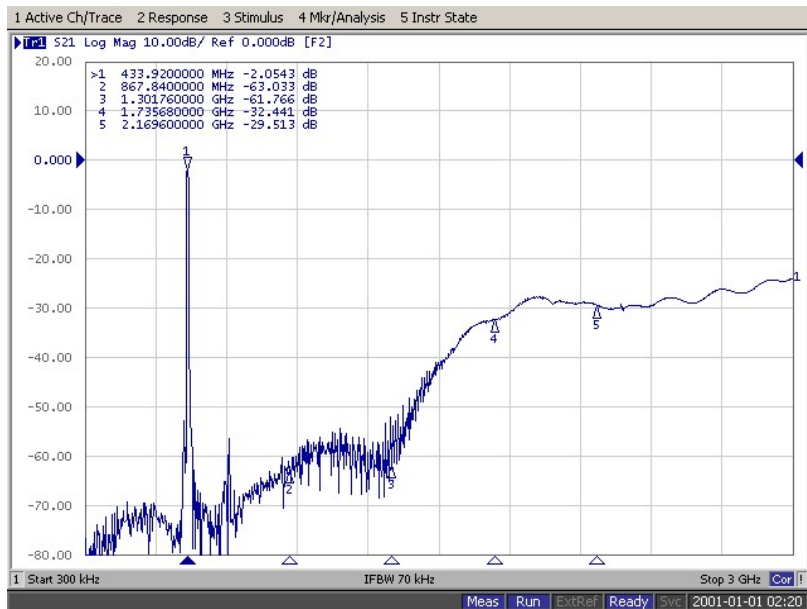
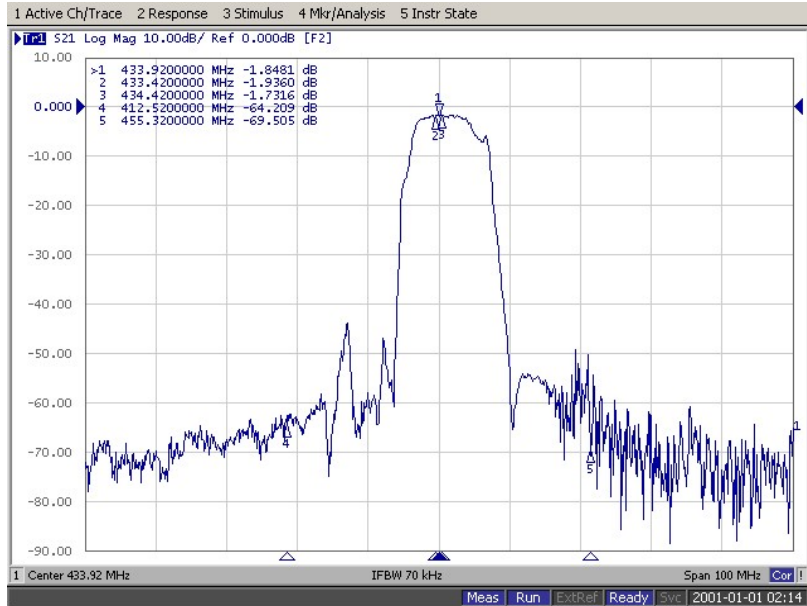
\* Ink or Laser Marking available

	<b>ITF Co., Ltd.</b> 102-901, 22, Samjak-ro, Ojeong-gu, Bucheon-si, Gyeonggi-do, Korea, 14501	Part No.	F433B	
		Rev. Date	2021-06-23	
		Rev.	NRUi02-AS03	3/9

# SAW Bandpass Filter F433B



## Typical Performance ( at 25°C )



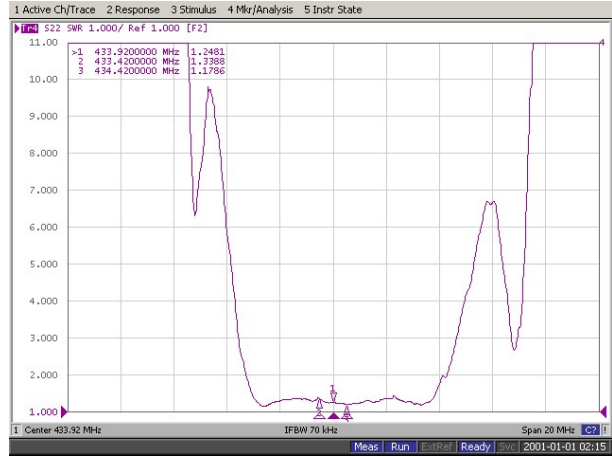
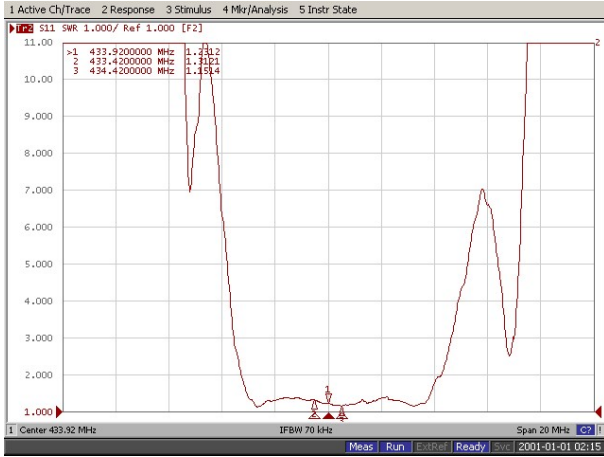
**ITF Co., Ltd.**  
 102-901, 22, Samjak-ro, Ojeong-gu,  
 Bucheon-si, Gyeonggi-do, Korea, 14501

Part No.	F433B	
Rev. Date	2021-06-23	
Rev.	NRUi02-AS03	4/9

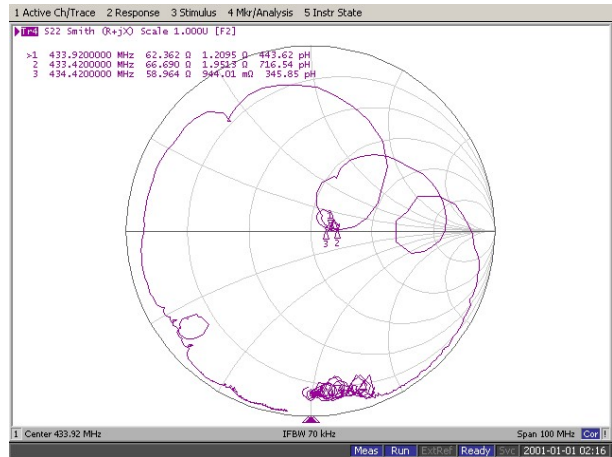
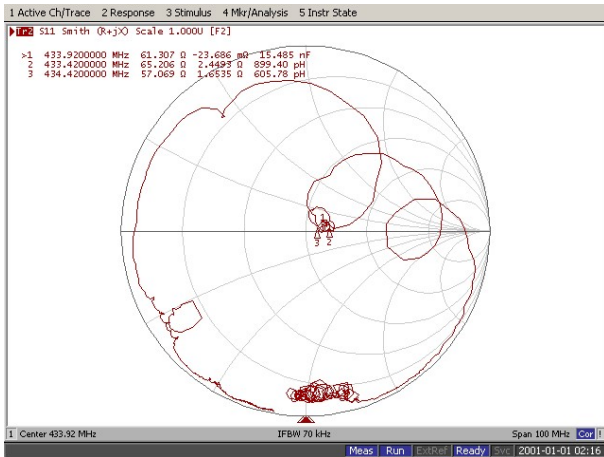
# SAW Bandpass Filter F433B



## Input / Output VSWR Charts



## Input / Output Smith Charts



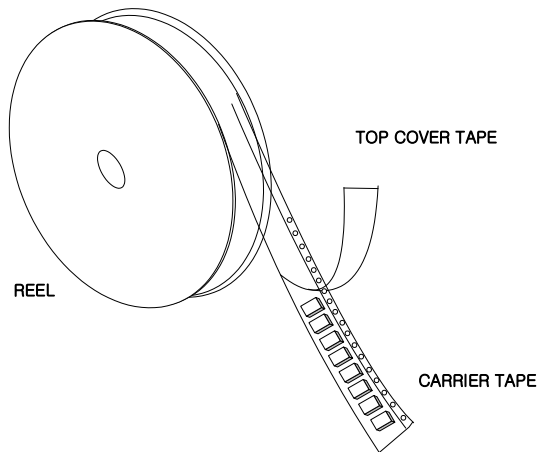
	<b>ITF Co., Ltd.</b> 102-901, 22, Samjak-ro, Ojeong-gu, Bucheon-si, Gyeonggi-do, Korea, 14501	Part No.	F433B	
		Rev. Date	2021-06-23	
		Rev.	NRUi02-AS03	5/9

# SAW Bandpass Filter F433B



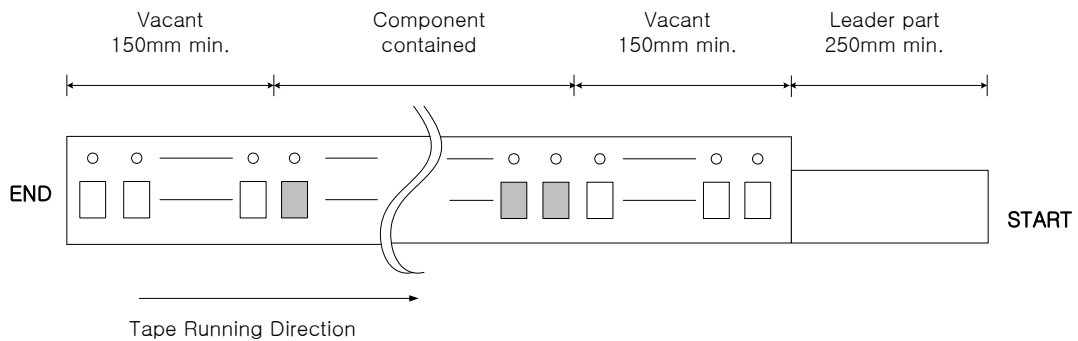
## Packing Specification

1. Reeling Quantity : 1000 pcs / reel or 3000 pcs / reel
2. Taping Structure : The tape shall be wound around the reel in the direction shown below.



## Tape Specification

1. Leader part and vacant position specification

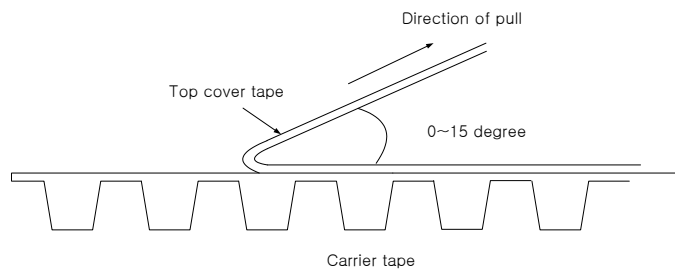



2. Tensile strength of carrier tape

4.4N/mm width

3. Top cover tape adhesion

- 1) pull off angle : 0~15°
- 2) speed : 300mm/min
- 3) force : 20~70g

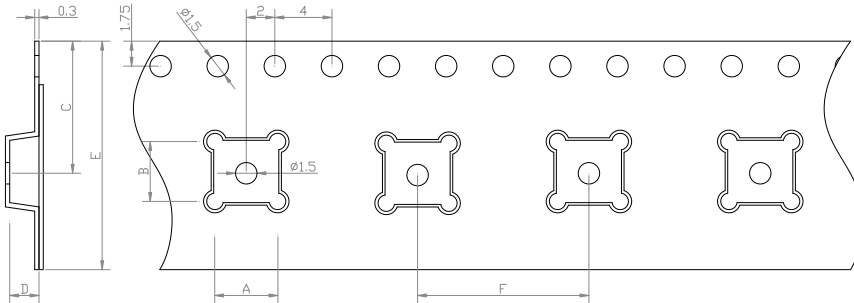


 <p>ITF Integrated Technology Future</p>	<p><b>ITF Co., Ltd.</b> 102-901, 22, Samjak-ro, Ojeong-gu, Bucheon-si, Gyeonggi-do, Korea, 14501</p>	Part No.	F433B	
		Rev. Date	2021-06-23	
		Rev.	NRUi02-AS03	6/9

# SAW Bandpass Filter F433B

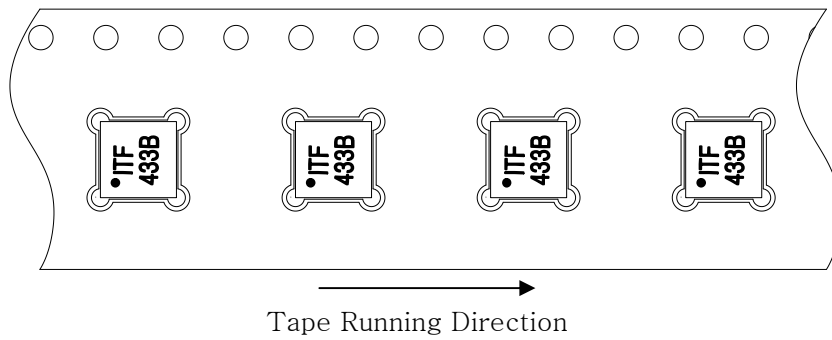


## Carrier Tape Dimensions [unit : mm]

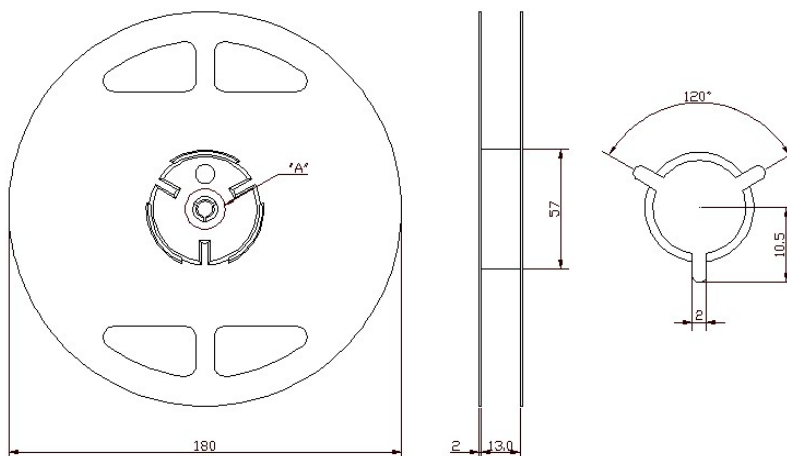


A	4.30 ± 0.1
B	4.30 ± 0.1
C	7.25 ± 0.1
D	1.70 ± 0.1
E	12.00 ± 0.1
F	8.00 ± 0.1

## Part Direction



## Reel Dimensions [unit : mm]



	<b>ITF Co., Ltd.</b> 102-901, 22, Samjak-ro, Ojeong-gu, Bucheon-si, Gyeonggi-do, Korea, 14501	Part No.	F433B	
		Rev. Date	2021-06-23	
		Rev.	NRUi02-AS03	7/9

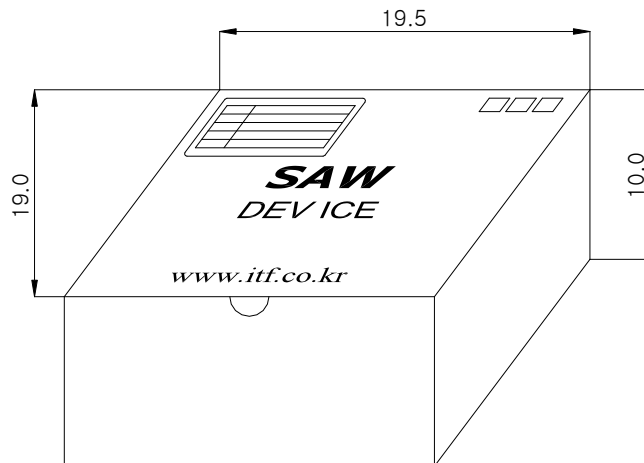
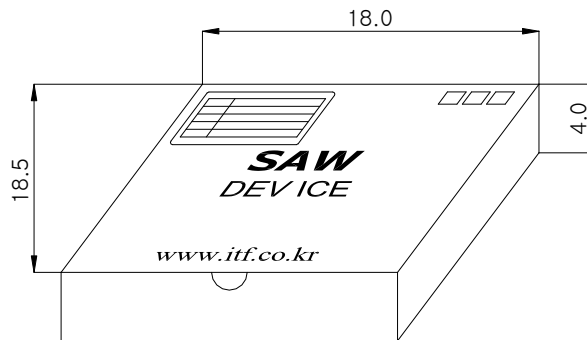
# SAW Bandpass Filter F433B




## Label Form



## Packaging Box [unit : cm]



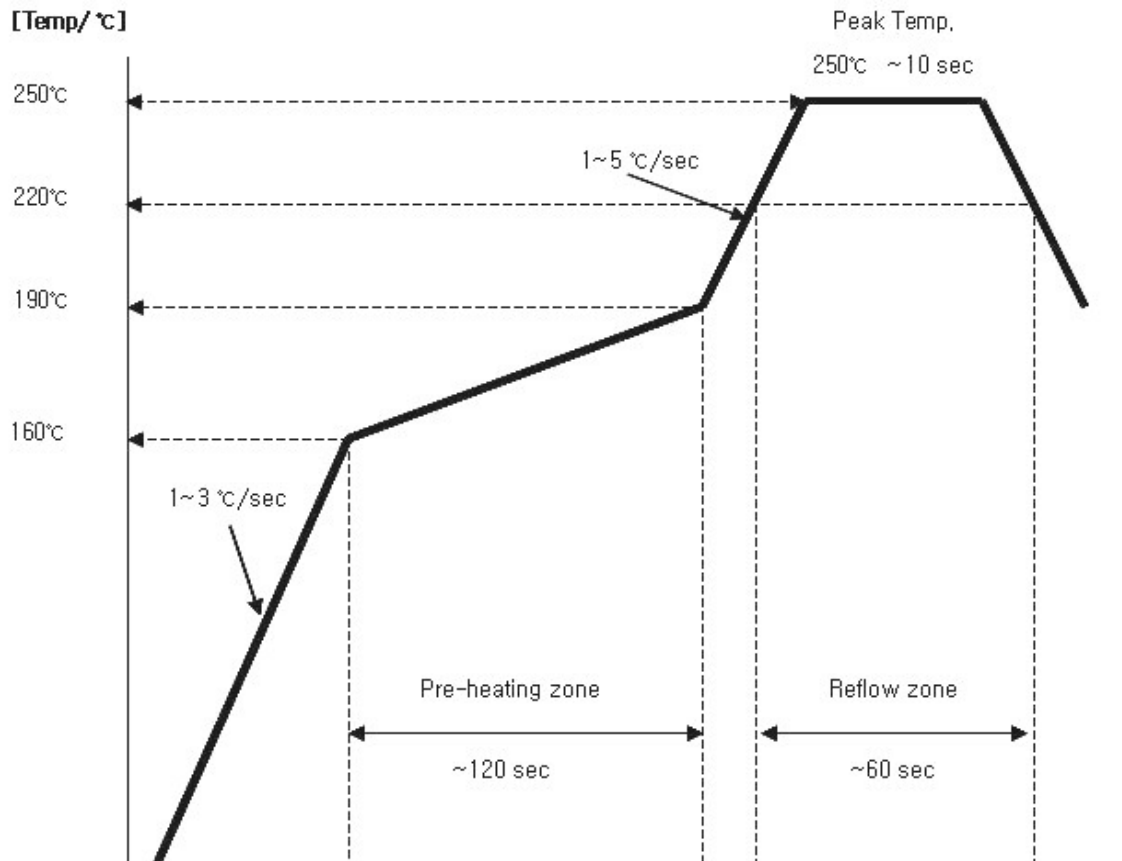
	<b>ITF Co., Ltd.</b> 102-901, 22, Samjak-ro, Ojeong-gu, Bucheon-si, Gyeonggi-do, Korea, 14501	Part No.	F433B	
		Rev. Date	2021-06-23	
		Rev.	NRUi02-AS03	8/9



# SAW Bandpass Filter F433B



## Reflow Condition



Comment) The quality is guaranteed under this temperature conditions on 2 times solder reflows

## Cautions

1. This is a hermetic device.

MSL (Moisture Sensitive Level) is the 1st level

2. This is an electrostatic sensitive device. Please avoid static voltage during operation and storage.

ESD (Electrostatic Discharge ) Rating is class 0. (Test : HBM-Human Body Model)

3. Ultrasonic cleaning shall be avoided.

4. This device should not be used in any type of fluid such as water, oil , organic solvent ,etc.

	<b>ITF Co., Ltd.</b> 102-901, 22, Samjak-ro, Ojeong-gu, Bucheon-si, Gyeonggi-do, Korea, 14501	Part No.	F433B	
		Rev. Date	2021-06-23	
		Rev.	NRUi02-AS03	9/9